



# VIEWRAIL ASCEND TALON



## Ascend Talon System

Ascend Talons are designed to utilize surface mounted glass systems on stairs. The Ascend Talon can be used on level systems as well, both indoors or outdoors. Ascend Talons have a sleek design that can be customized with any of our powder coat options to match the rest of your system. Standard or special application foot options are available to accommodate traditional or concrete mounting surfaces.

## Viewrail Ascend Talon System



### Tech Specifications

**Material:** Aluminum or Stainless Steel

**Finishes:** Aluminum: Your Choice of Powder Coat

**Height:** Up to 42" Tall (System Height)

**Standard Spacing:** 4" to center of talon from glass edge

**Mount Type:** Surface

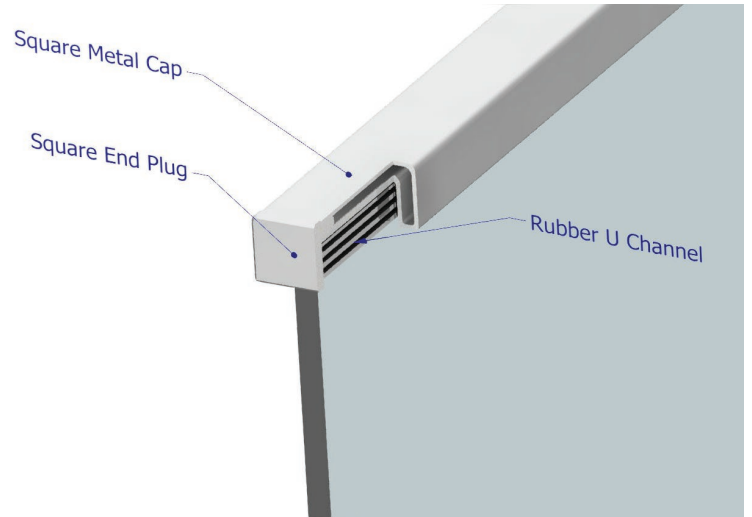
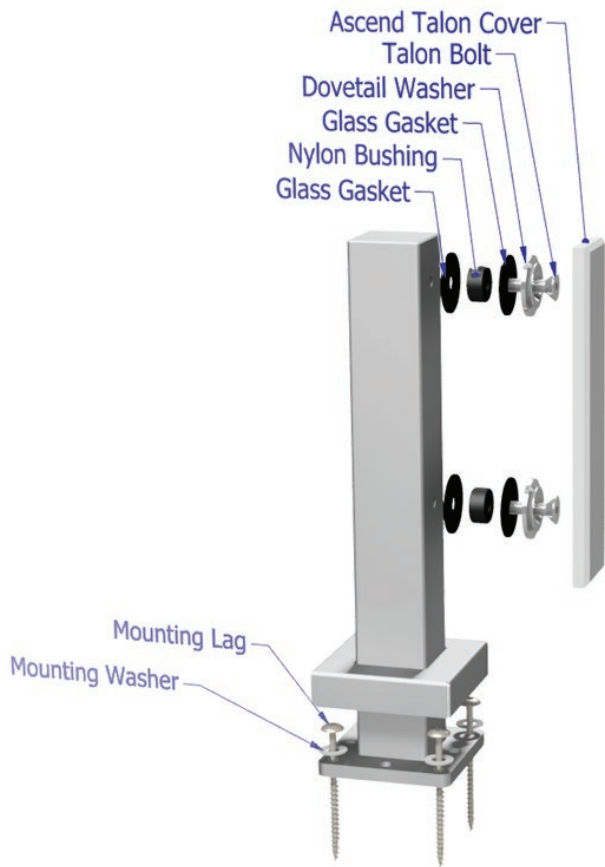
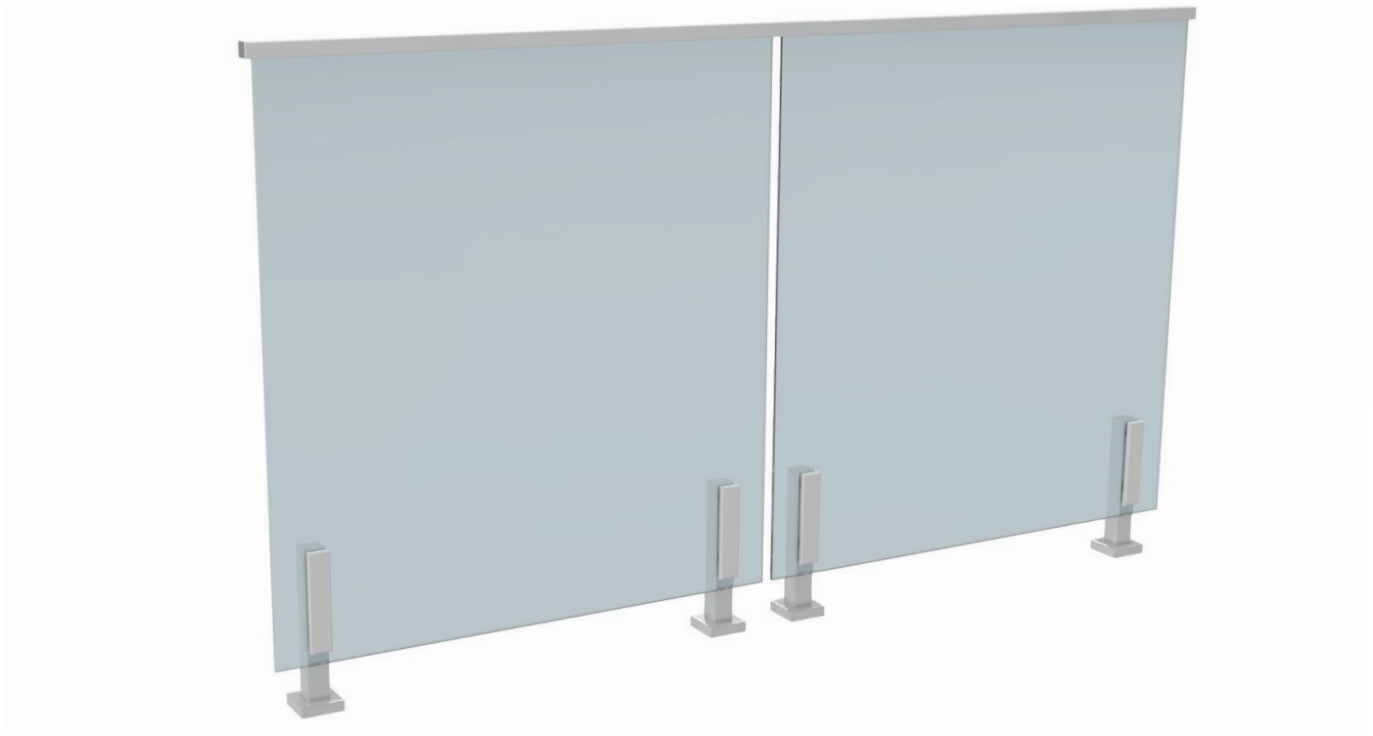
**Composition:** 6061 Aluminum or 2205 Stainless

**Infill Options:** 1/2" Tempered or 9/16" Laminated Glass

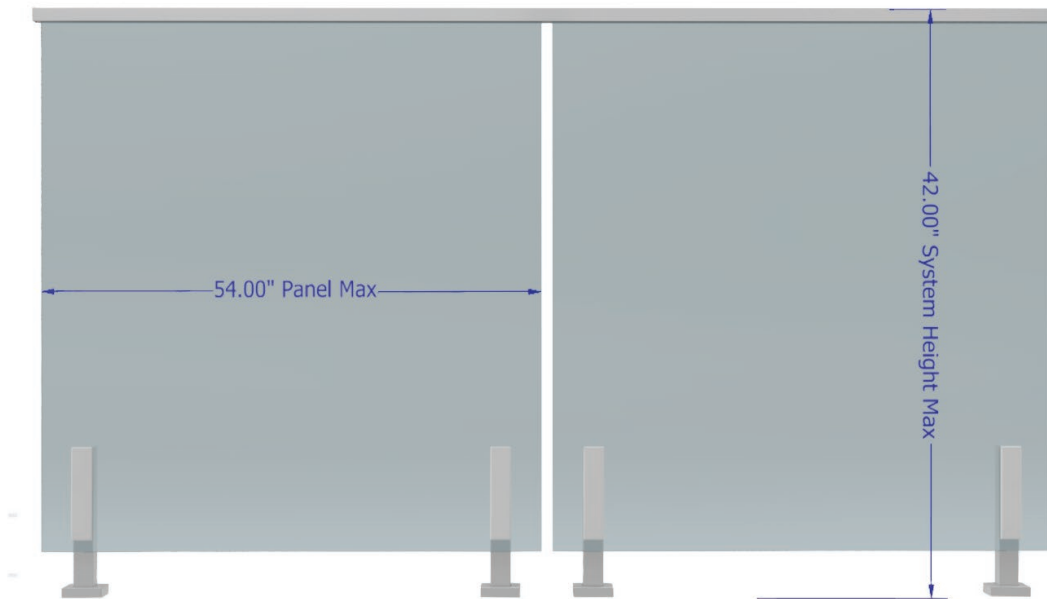
**Compliance:** ICC, IBC International Building Code® (2015,2018,2021),  
IRC International Residential Code® (2015,2018,2021)

# Viewrail Ascend Talon System

## Product Components



# Viewrail Ascend Talon System



## Hardware Dimensions

