

Hidden Side Mount Glass Railing

The first-ever side mount glass railing system that is both easy to install and seamless in design.

Hidden Side Mount Glass Railing is among our strongest, most robustly tested frameless glass system. Similar to our surface mount Base Rail System, this system is often used on decks and commercial projects. The ability to have our Hidden Side Mount Glass Railing mounted to fascia opens up several options. The mounting hardware and supporting channel body are completely hidden from the top of the walking surface, it avoids mounting into the waterproof deck surface, and gives the option to recess the glass railing more easily. This option makes Hidden Side Mount Glass Railing both a sturdy and elegant option.

Capabilities of Monolithic Tempered and Laminated Tempered Glass for Hidden Side Mount

	1/2" Monolithic	9/16" Laminated	3/4" Laminated
Standard Glass Offerings Available	- Low Iron Starphire - Solar Gray	- Low Iron Starphire - Solar Gray - Solar Bronze - Frosted	- Low Iron Starphire
Custom Glass Offerings Available	- Special order available upon request	- Special order available upon request	- Special order available upon request
Nominal Panel Thickness	- 12mm (1/2")	- 12mm (Consists of two-6mm tempered panels)	- 20mm (Consists of two-mm tempered panels) - 0.035" Interlayer
Actual Panel Thickness	- .469" - .531"	- .473" - .54"	- .745" - .882"
Interlayer Thickness	N/A	Typical: - .035" SGP Available for Commercial: - .07" Double SGP	Typical: - .035" SGP Available for Commercial: - .07" Double SGP
Polish/ Bevel	- Flat Polish - Beveled Edge	- Flat Polish - Beveled Edge	- Flat Polish - Beveled Edge
Min Panel Width	4"	4"	4"
Max Panel Weight	- Around 250 lbs	- Around 250 lbs	- Around 250 lbs

***Hydrophobic Coating:** Available upon request for **ALL** our glass railing systems, our hydrophobic coating creates a protective "barrier" resistant to water, soil, stains, fingerprints, and corrosion.

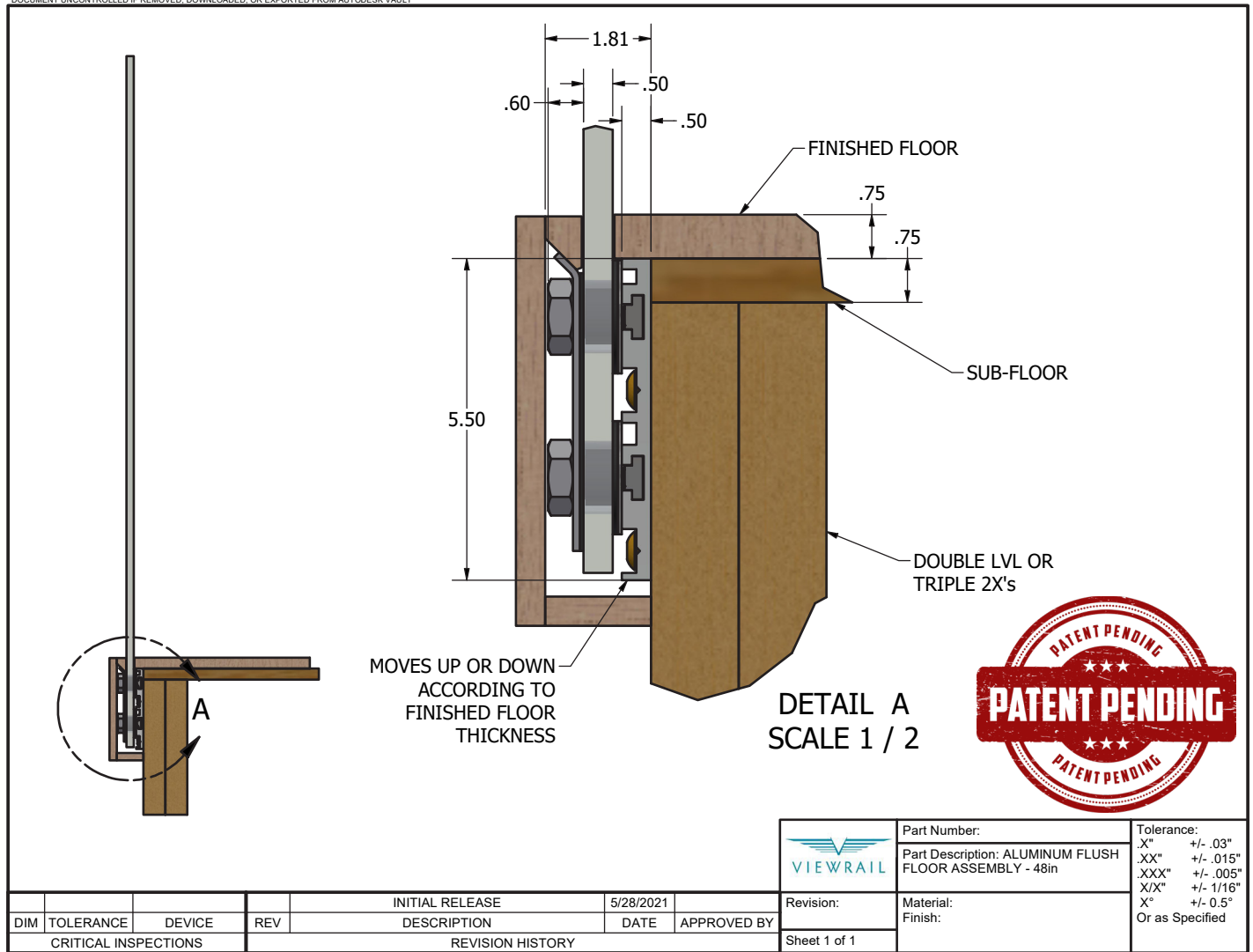
Completed Project Examples



Drawings & Specs

Hidden Side Mount Glass Railing - Detailed Side View of Assembly

DOCUMENT UNCONTROLLED IF REMOVED, DOWNLOADED, OR EXPORTED FROM AUTODESK VAULT



***IMPORTANT NOTE: DECORATIVE COVER CLADDING IS NOT INCLUDED! THIS MUST BE SOURCED ON-SITE!**

Specifications

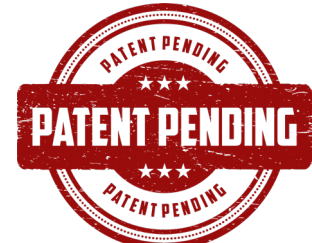
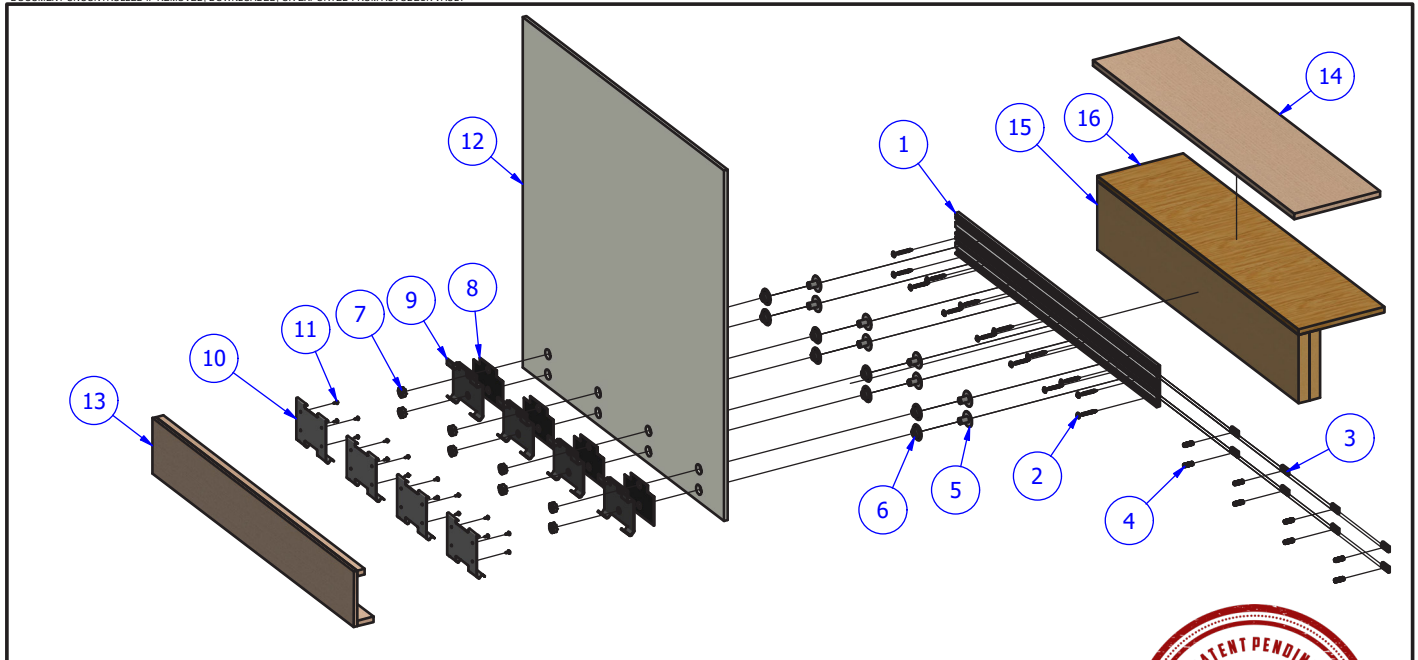
- Can be recessed into the wall
- Comes in 4', 8', and 16' sections
- Compatible for interior and exterior applications
- Needs at least 4" of blocking (triple 2X or double LVL)

Installation Insight

- Make sure to consider how the mitered corners will line up when installing the glass. Otherwise, a gap may unintentionally be created on the job site.

Hidden Side Mount Glass Railing - Exploded View of Assembly

DOCUMENT UNCONTROLLED IF REMOVED, DOWNLOADED, OR EXPORTED FROM AUTODESK VAULT

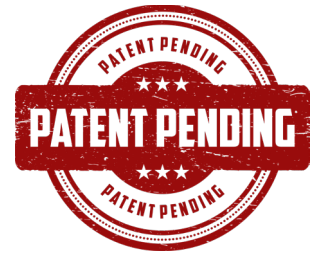
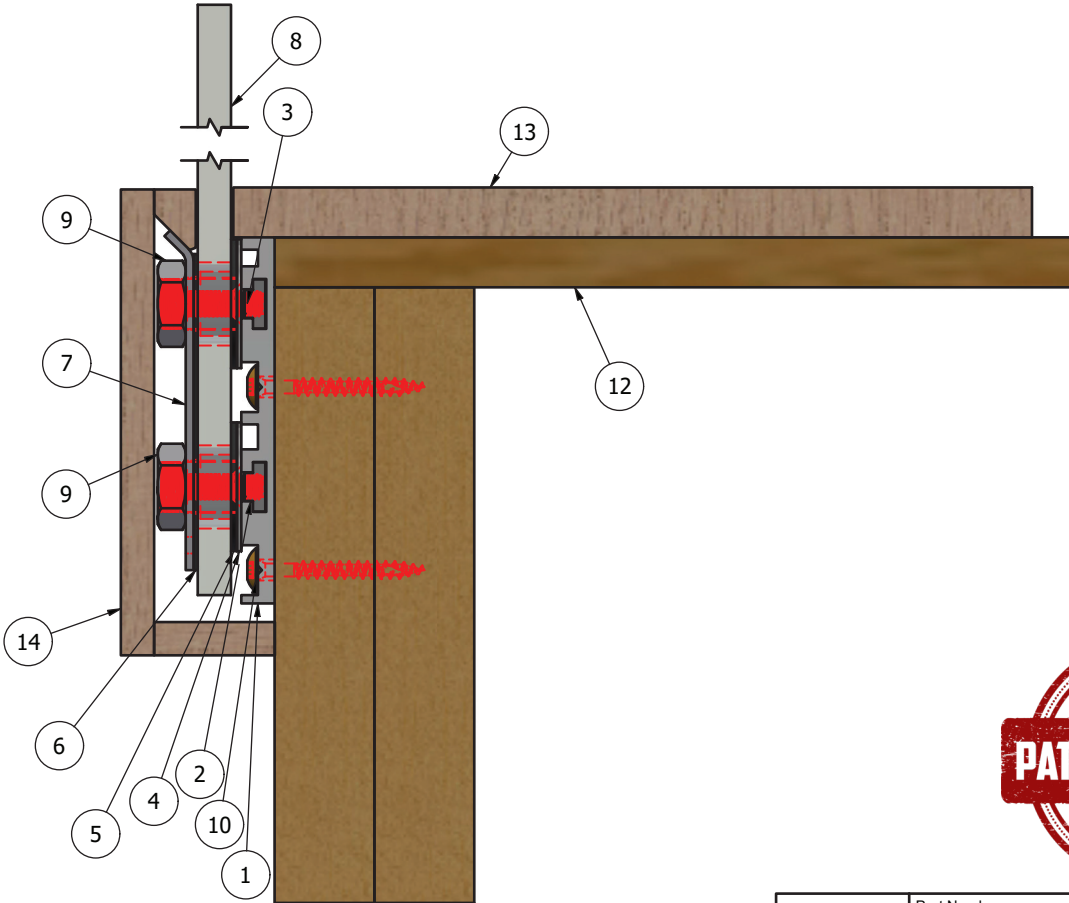



PARTS LIST			
ITEM	QTY	PART NUMBER	DESCRIPTION
1	1	852665, 852666, 852667	HIDDEN SIDE MOUNT GLASS TRACK - 48in or 96in or192in
2	14	260512	5/16 x 2 1/2" Construction Screw - Case Hardened Carbon Steel
3	8	854813	HIDDEN TRACK T-NUT
4	8	854814	3/8"-16 x 1 1/4" SET SCREW
5	8	854815	HIDDEN INNER SLEEVE FITTING
6	8	451564	Combined Gasket .78ID x 1.94OD x .090THK
7	8	854819	3/4"-16 LOW PROFILE HEX NUT - ZINC
8	4	857755	EXTENDED HIDDEN MOUNTING PLATE PAD
9	4	857752	EXTENDED HIDDEN MOUNTING PLATE
10	4	857756	HIDDEN MOUNTING PLATE FASCIA CLIP
11	16	857802	No8 x 1.2in ROUND WASHER PHILLIPS DRIVE SHARP POINT
12	1	-	DESIGNED CUSTOM GLASS
13	1	-	VIEWRAIL OR CUSTOMER SUPPLIED COVER
14	1	-	CUSTOMER FINISHED FLOOR
15	2	-	CUSTOMER HEADER
16	1	-	CUSTOMER SUBFLOOR

INITIAL RELEASE			
REV	DESCRIPTION	DATE	APPROVED BY
REVISION HISTORY			
	Part Number: 856056	Tolerance:	
	Part Description: HSMRCC - ASSEMBLY - 01 ALUMINUM FLUSH FLOOR ASSEMBLY - 48in	.X" +/- .03" .XX" +/- .015" .XXX" +/- .005" X/X" +/- 1/16" X° +/- 0.5° Or as Specified	
Revision:	Material: Finish:		
Sheet 1 of 1			

Hidden Side Mount Glass Railing - Side View of Parts Assembled

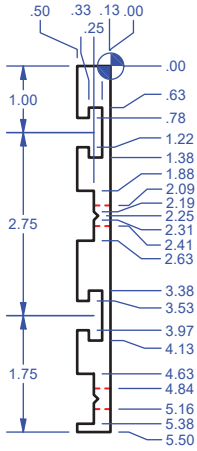
DOCUMENT UNCONTROLLED IF REMOVED, DOWNLOADED, OR EXPORTED FROM AUTODESK VAULT



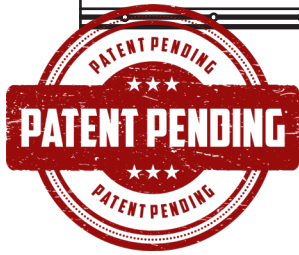
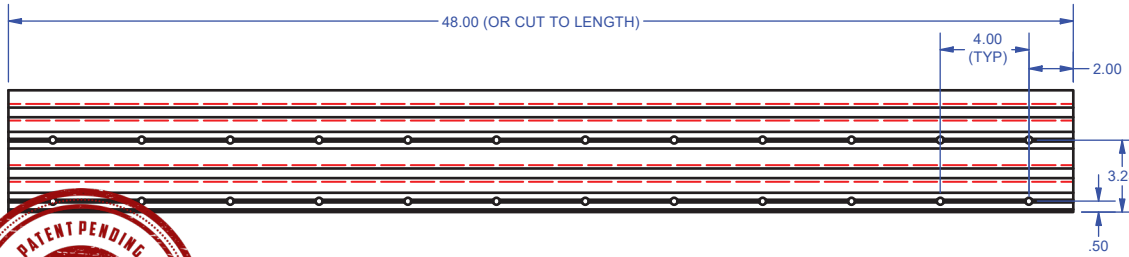
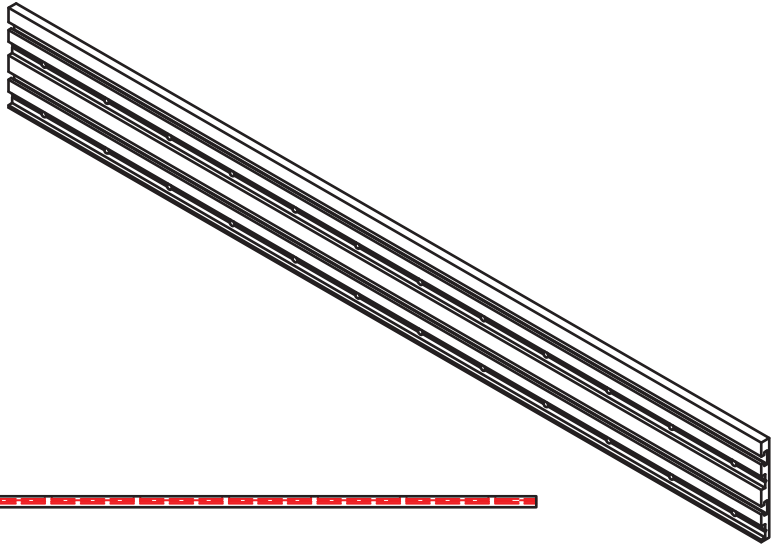
	Part Number:	Tolerance:
	Part Description: ALUMINUM FLUSH FLOOR ASSEMBLY - 48in	.X" +/- .03" .XX" +/- .015" .XXX" +/- .005" X/X" +/- 1/16" X° +/- 0.5° Or as Specified
Revision:	Material:	
	Finish:	
Sheet 2 of 3		


Hidden Side Mount Glass Railing - Aluminum Extrusion

DOCUMENT UNCONTROLLED IF REMOVED, DOWNLOADED, OR EXPORTED FROM AUTODESK VAULT



DETAIL A
SCALE 1 / 2



	Part Number: ALUMINUM FLUSH	Tolerance: .X" +/- .03" .XX" +/- .015" .XXX" +/- .005" X/X" +/- 1/16" X° +/- 0.5° Or as Specified
	FLOOR BASE RAIL V2 Part Description:	
Revision:	Material: Generic Finish: Default	
Sheet 3 of 3		