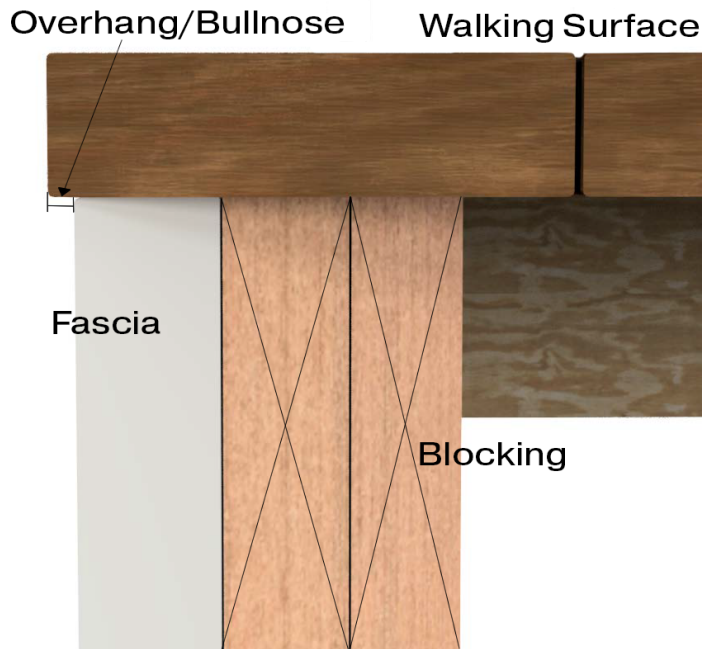


Fascia Requirements



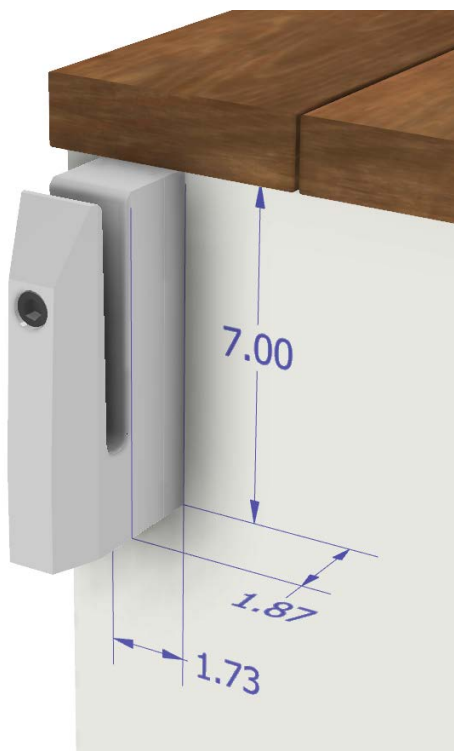
Terms

Overhang/Bullnose: Material that hangs past the fascia

Fascia: Decorative covering over the blocking often made of the same material as the finished walking surface

Blocking: Solid structure that often supports the walking surface (this is what your system will mount into **Min of 4"**)

Walking Surface: Top of Decking or Flooring



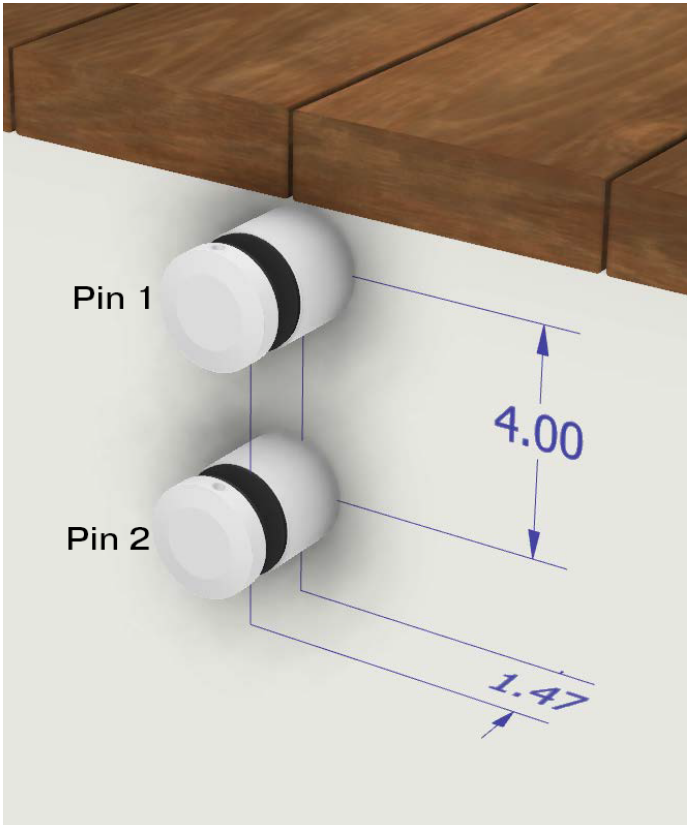
Side Mount Talon

Max Panel Height (Total Panel Height): 49"

Max Panel Height (From Walking Surface): 42"

Min Fascia Size: 7"

Deck Overhang: Under 1.87"



Standoff Pin

Max Panel Height (From center of pin 1 to top of system): 49"

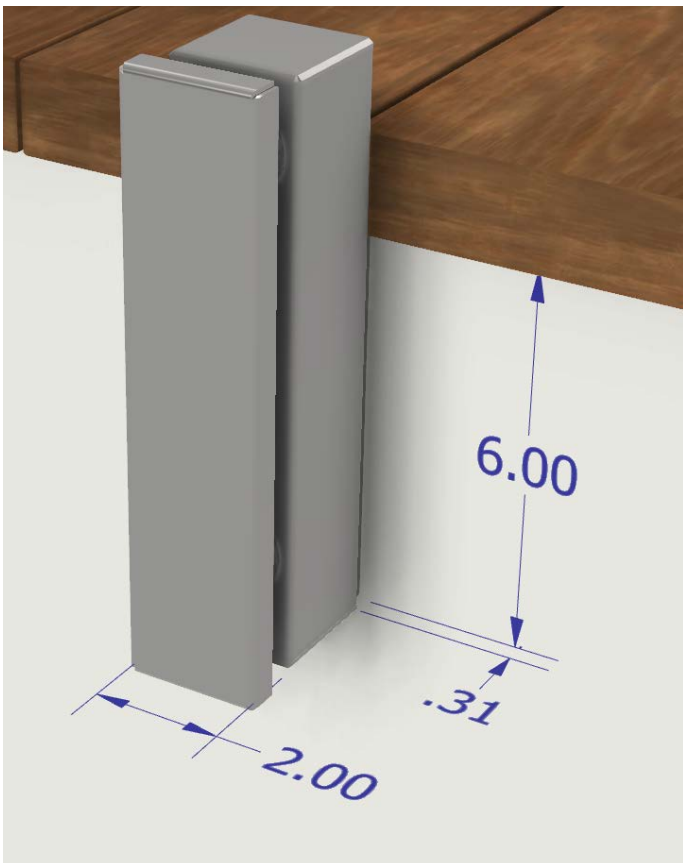
Min Distance separating center of pins: 4"

Min Fascia Size: 7.25"

Min Distance from center of pin 2 to bottom of glass line: 1.625"

Required Distance From Center of pins to glass edge (left or right) 6"

Deck Overhang: Under 1.47"



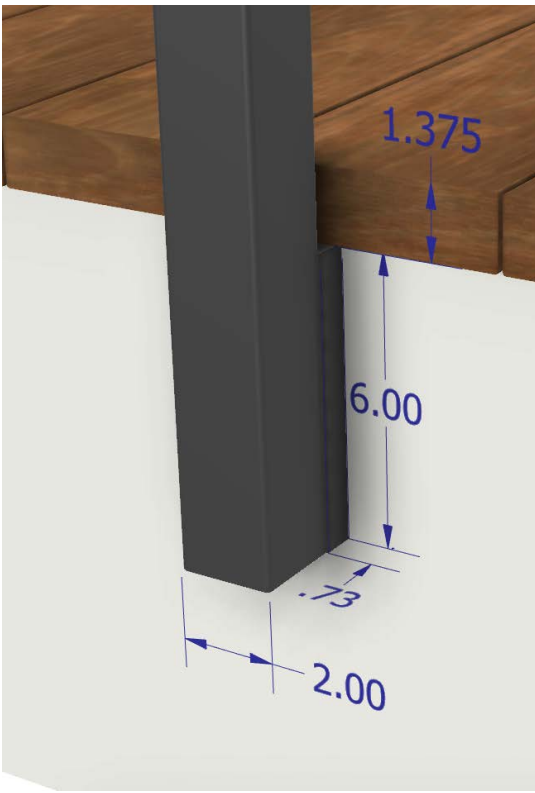
Side Mount Ascend Talon

Max Panel Height (Total Panel Height): 49" Max

Panel Height (From Walking Surface): 42"

Min Fascia Size: 6"

Deck Overhang: Under .31"



Slim Side Mount Post

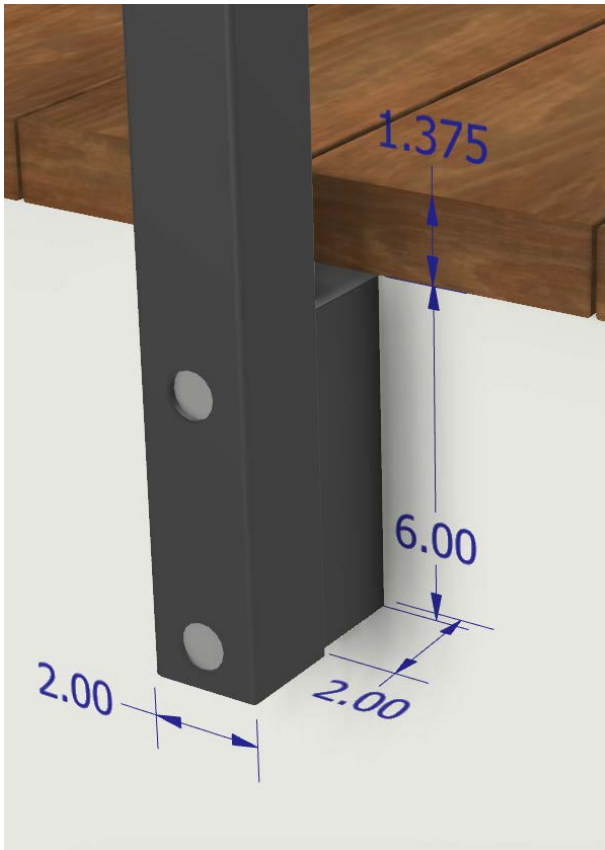
Max System Height (from Walking Surface): 42"

*Max Distance from Top of Mounting plate to walking surface: 3"

Min Distance from Top of Mounting plate to walking surface: 1.375"

Min Fascia Size: 7.375"

Deck Overhang: Under .73"



Bump Out Side Mount Post

Max System Height (from Walking Surface): 42"

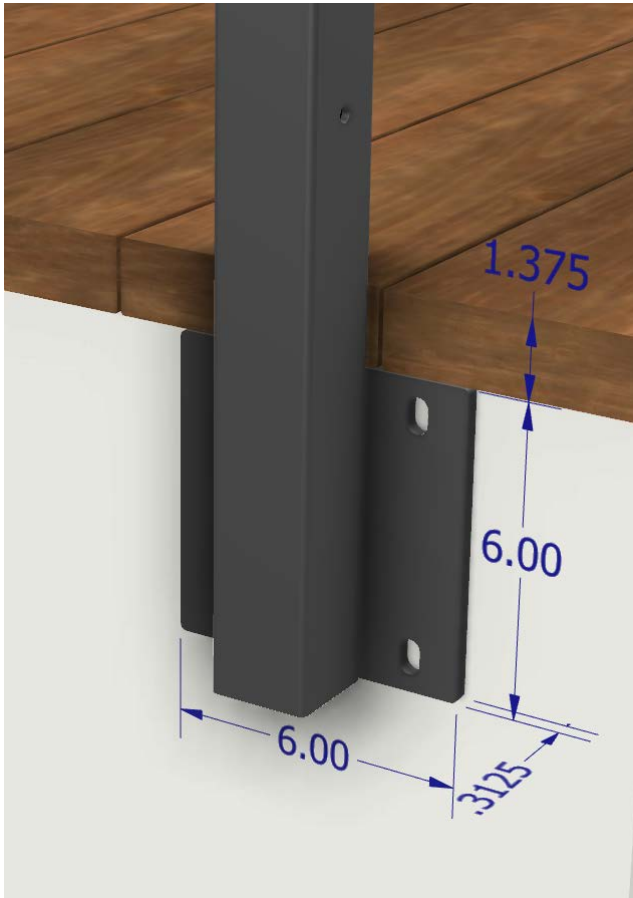
*Max Distance from Top of Mounting plate to walking surface: 3"

Min Distance from Top of Mounting plate to walking surface: 1.375"

Min Fascia Size: 7.375"

Deck Overhang: Under 2"

***When maxing out the distance from the top of mounting plate to walking surface, a custom post may be required for the desired system height**



Standard Side Mount Post

Max System Height (from Walking Surface): 42"

*Max Distance from Top of Mounting plate to walking surface: 3"

Min Distance from Top of Mounting plate to walking surface: 1.375"

Min Fascia Size: 7.375"

Deck Overhang: Under .3125"

***When maxing out the distance from the top of mounting plate to walking surface, a custom post may be required for the desired system height**