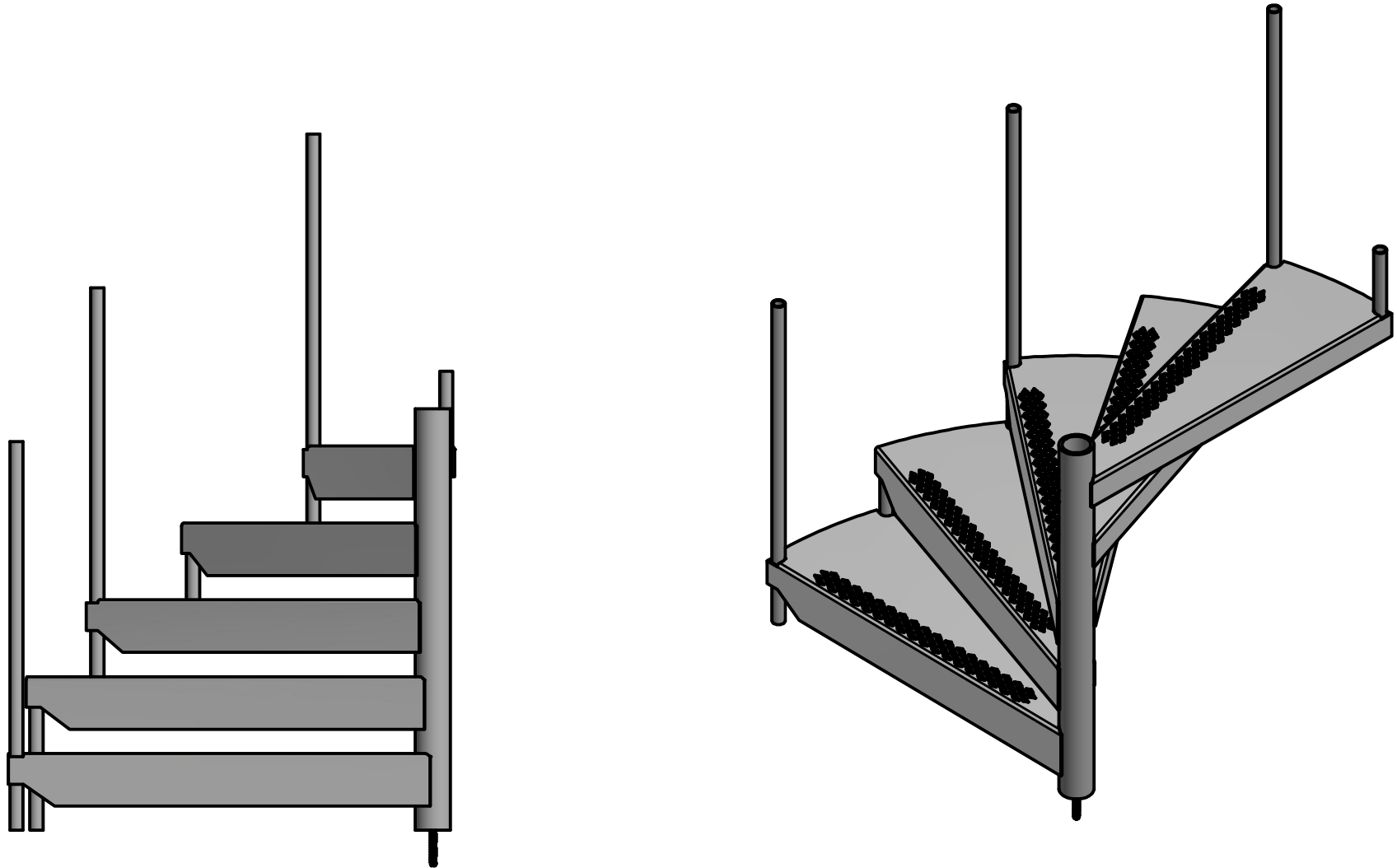



# Exterior Spiral - Preliminary Part Dimensions

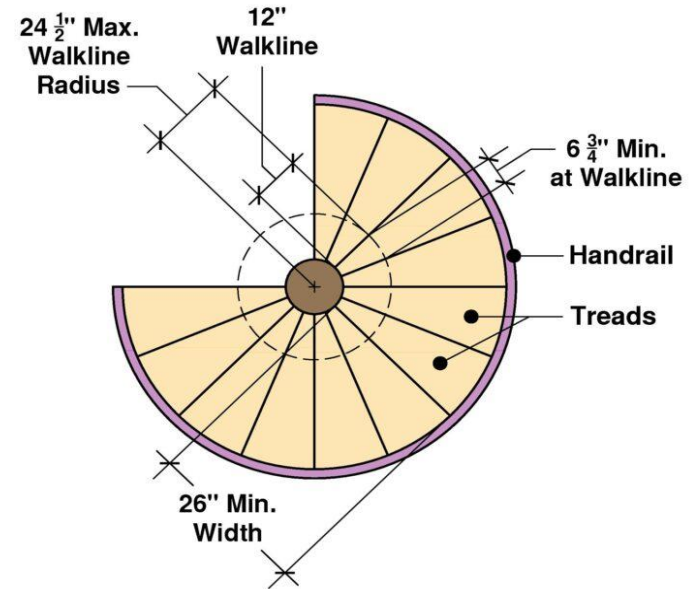
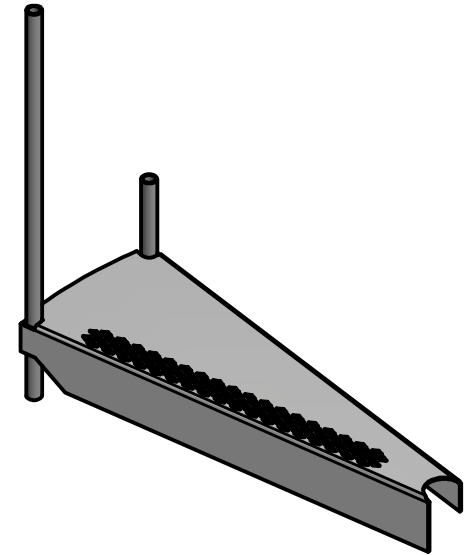
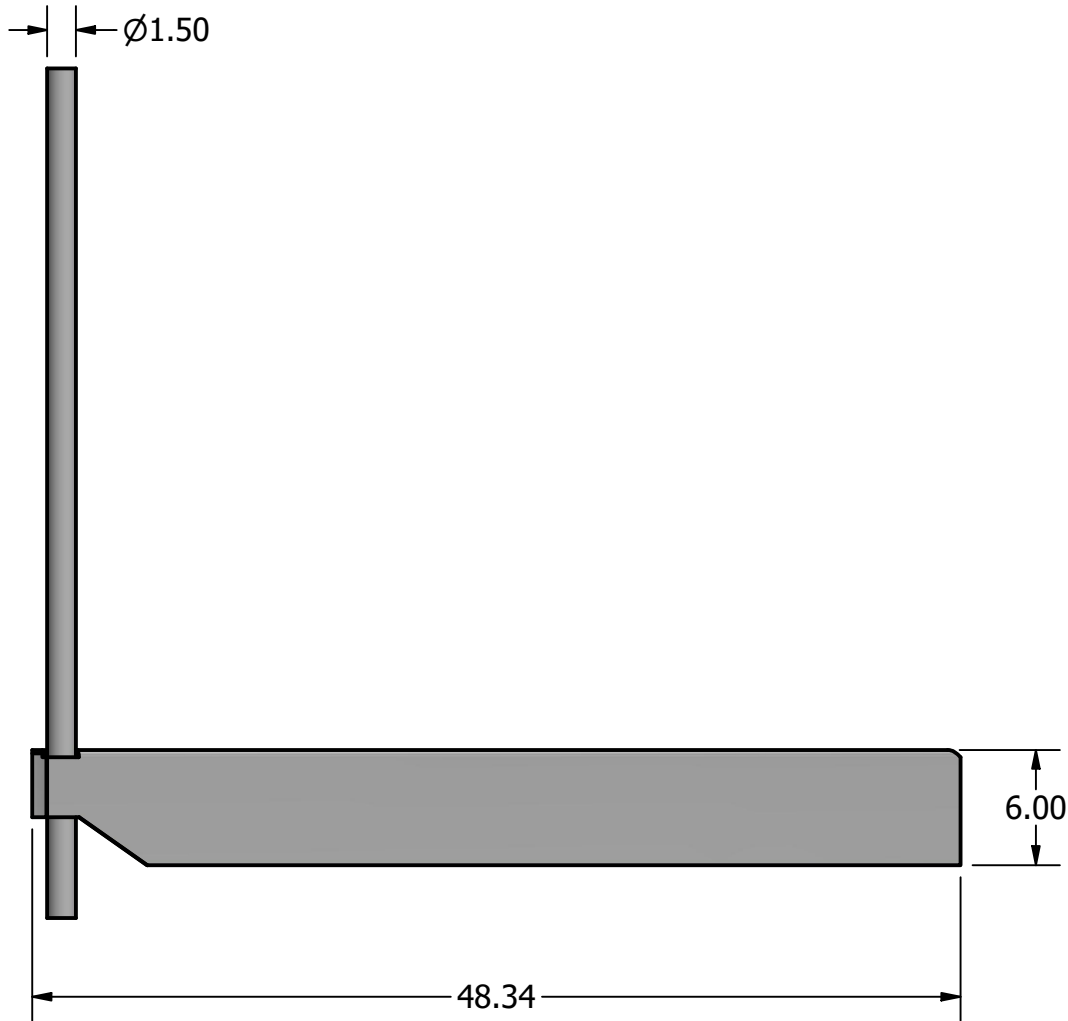



REV	DESCRIPTION	DATE	APPROVED	STATUS
REVISION HISTORY				

 VIEWRAIL	Part Number: EXTERIOR SPIRAL
	ASSEMBLY A Description:
Revision:	Sheet 1 of 5

**System Features:**

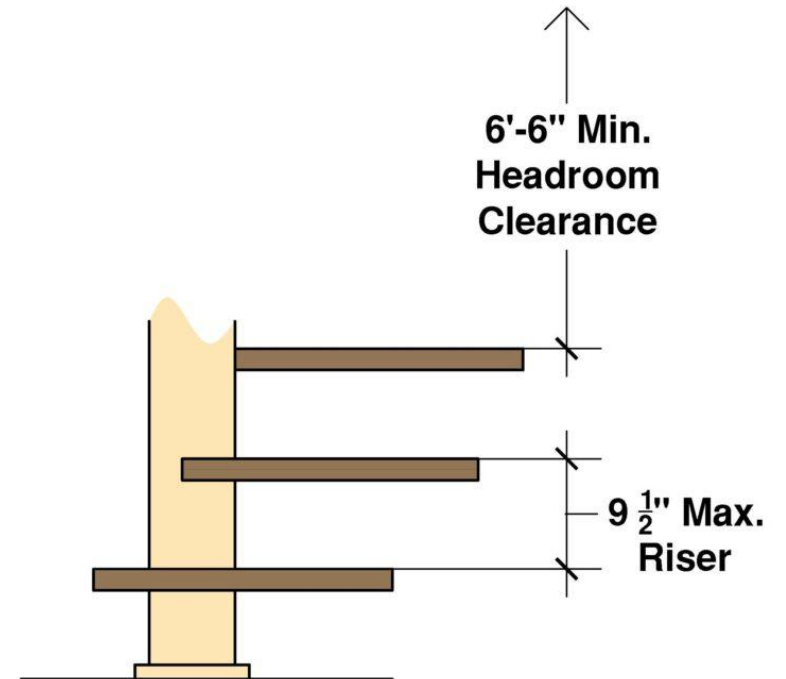
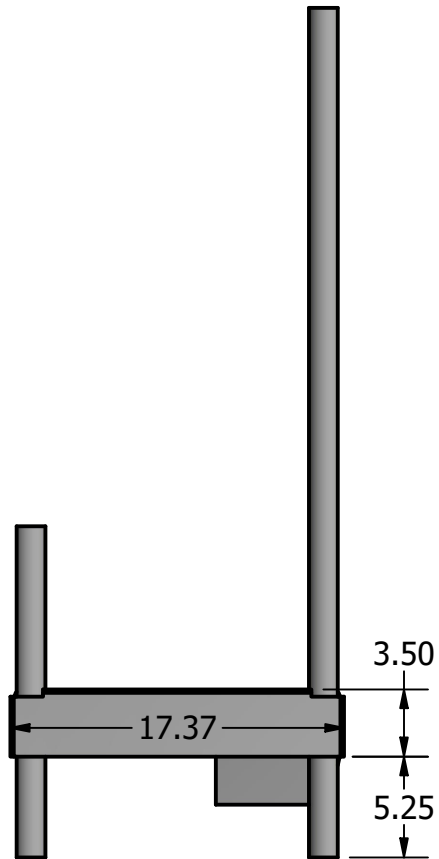
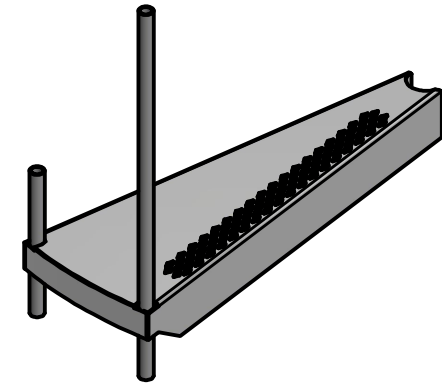
- Tread Min. Width: 26"
- Tread Max. Width: 48"
- Tread Thickness: 2.5"
- Tread Min. Rise: 7"
- Tread Max. Rise: 9.5"
- System Min. Radius: 180 Deg.
- System Max. Radius: n/a
- Min. Headroom: 6' 6"




	Part Number: EXTERIOR SPIRAL
	STEP ASSEMBLY A Description:
Revision:	Sheet 2 of 5

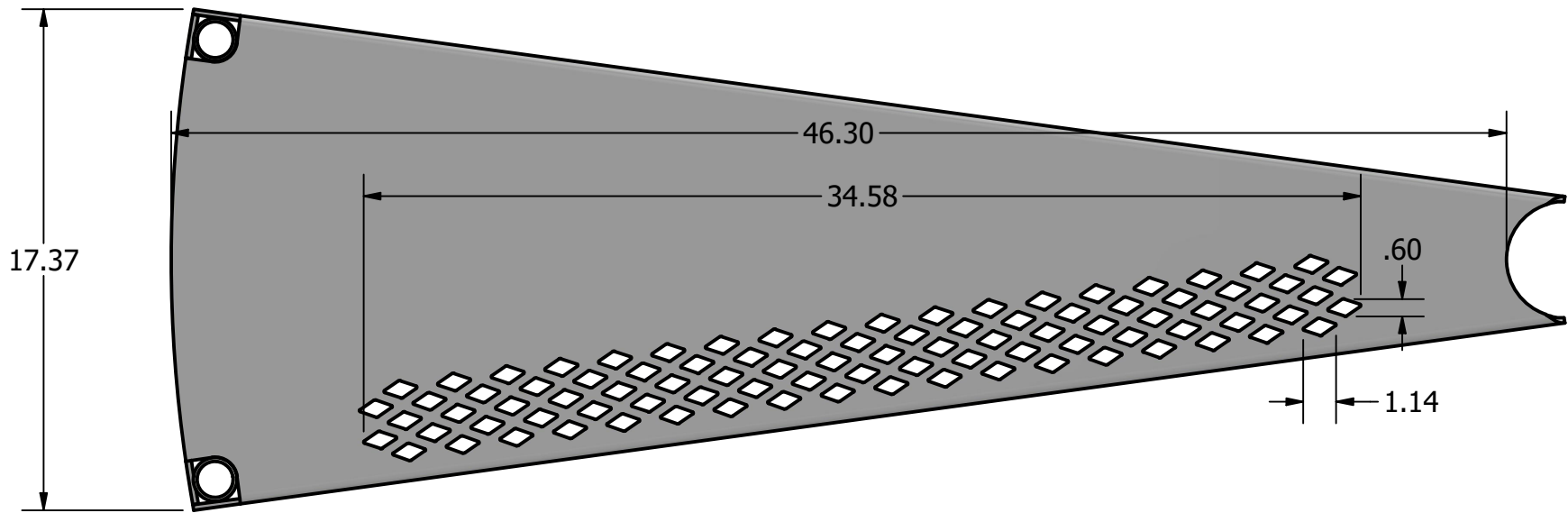
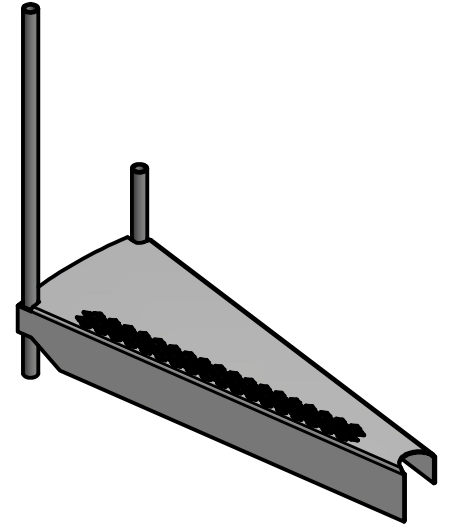
**System Features:**

- Tread Min. Width: 26"
- Tread Max. Width: 48"
- Tread Thickness: 2.5"
- Tread Min. Rise: 7"
- Tread Max. Rise: 9.5"
- System Min. Radius: 180 Deg.
- System Max. Radius: n/a
- Min. Headroom: 6' 6"




	Part Number: EXTERIOR SPIRAL
	STEP ASSEMBLY A Description:
Revision:	Sheet 3 of 5

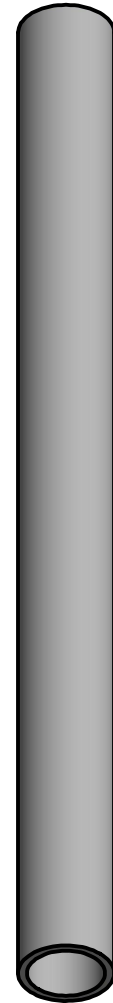
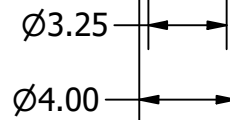
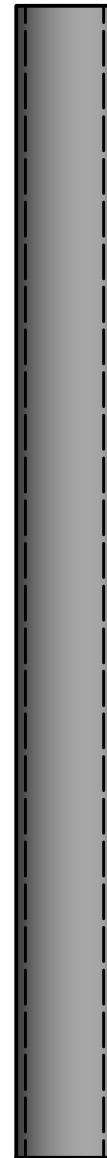
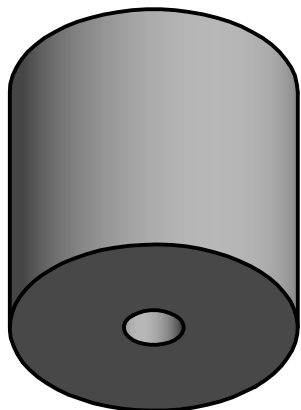
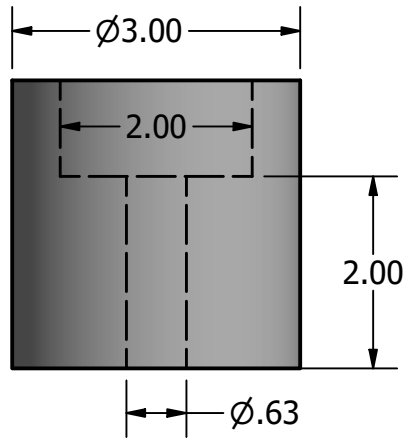
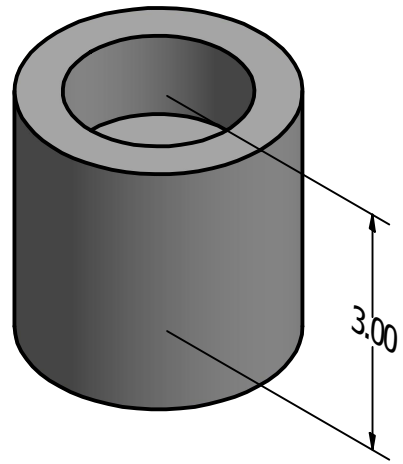
# Exterior Spiral - Tread Pan Top Face




Tread depth and width custom to each order

	Part Number: EXTERIOR SPIRAL
	STEP ASSEMBLY A Description:
Revision:	Sheet 4 of 5

# Exterior Spiral - Pole Attachment



	Part Number: EXTERIOR SPIRAL A10
	Description:
Revision:	Sheet 5 of 5