



VIEWRAIL

# Universal Standoff Pins

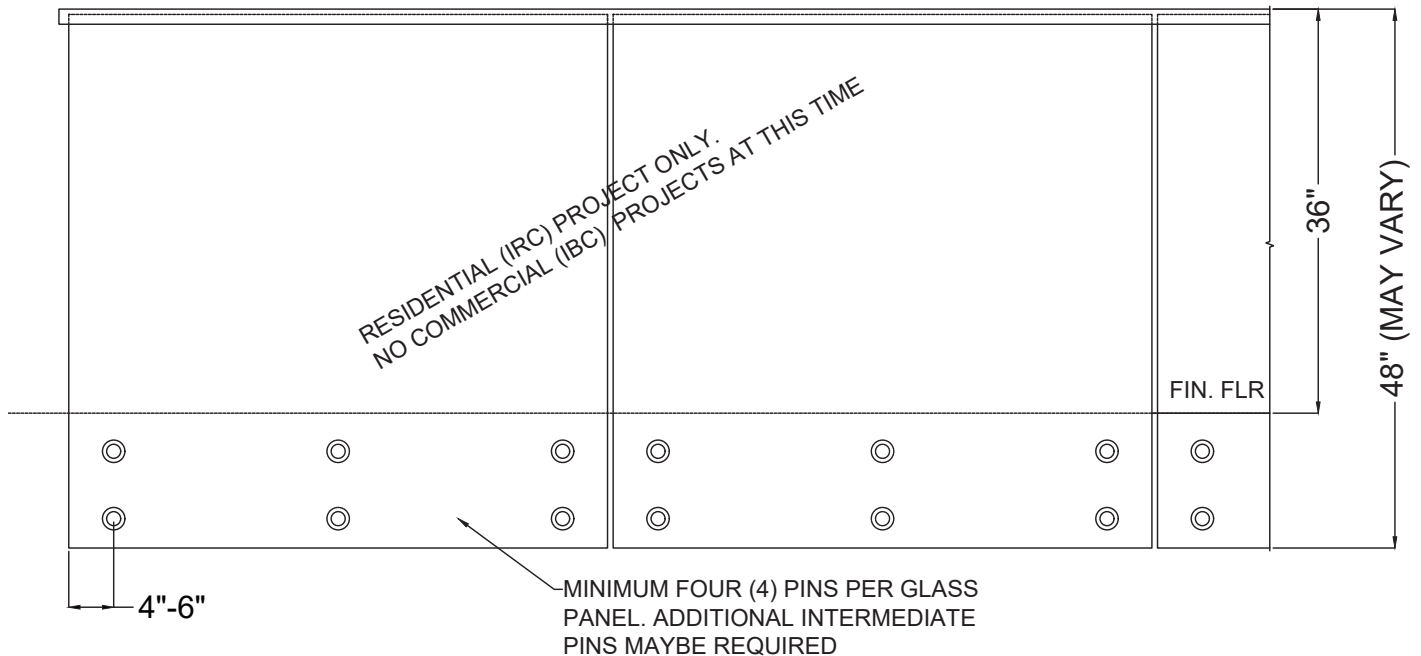
Universal Standoff Pins are expertly machined from aircraft grade 6061 Aluminum. Each pin is powder coated with a top-of-the-line finish to match your project's needs. The simple design and fastening technique create a quick, easy installation.



| Universal Pin Assemblies |                          |          |                         |                 |           |
|--------------------------|--------------------------|----------|-------------------------|-----------------|-----------|
| Part Number              | Description              | Diameter | Required Pins Per Panel | Glass Hole Size | Weight    |
| 665277                   | Aluminum-Exterior        | 1.98"    | 4 Pins Minimum          | 28.6 MM         | .672 lbs  |
| 656660                   | Aluminum-Interior        | 1.98"    | 4 Pins Minimum          | 28.6 MM         | .672 lbs  |
| 658379                   | Stainless Steel-Interior | 1.98"    | 4 Pins Minimum          | 28.6 MM         | 1.057 lbs |



# Properties



## Tech Specifications

**Material:** 6061 Aluminum (Aircraft Grade)

**Finishes:** Aluminum: Custom powder coated to order

**Height:** Up to 42" Tall (System Height)

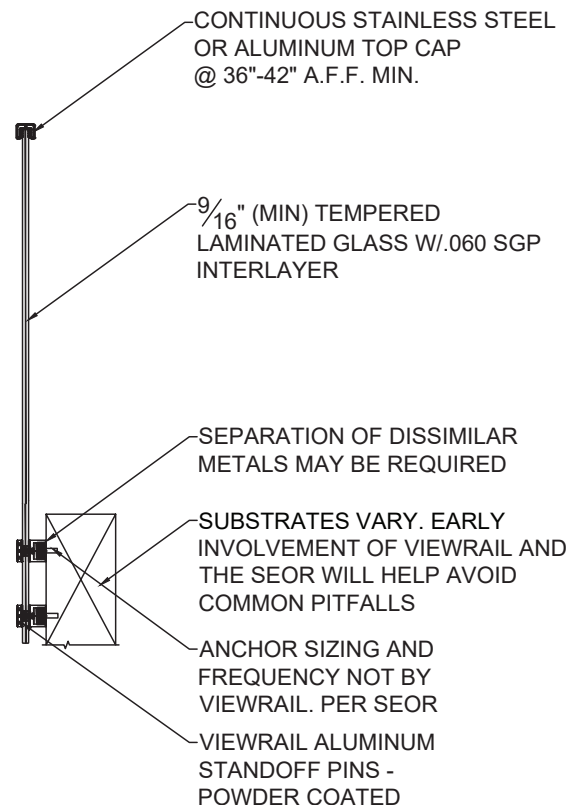
**System Offset:** Pins offset Glass 1.5" From Mounting Surface

**Mount Type:** Side Mount

**Composition:** Pin Components are Milled from Solid Aluminum

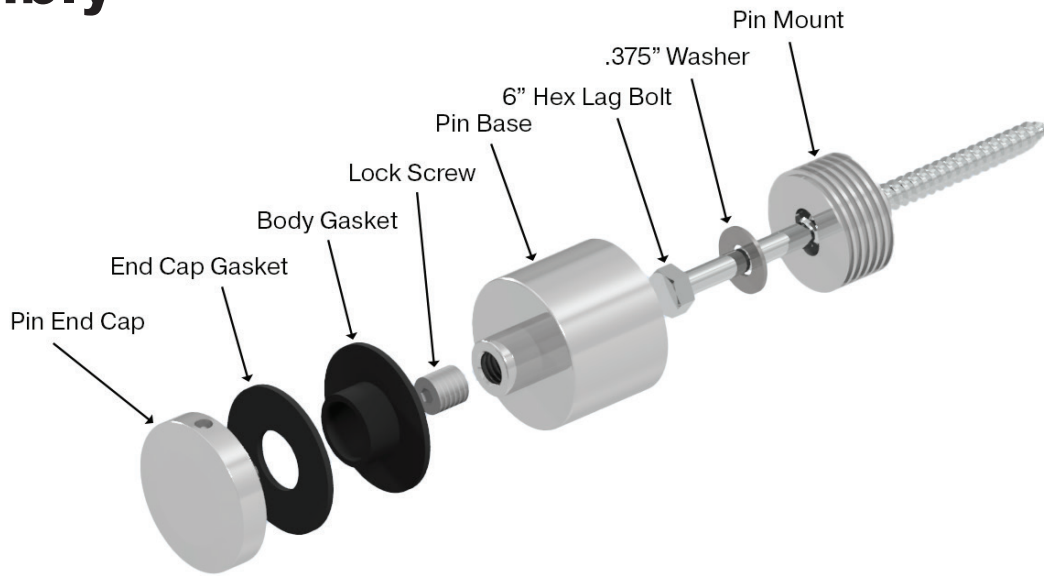
**Infill Options:** 1/2" Tempered or 9/16" Laminated Glass

**Compliance:** ICC International Code Council, IRC International Residential Code® (2015,2018,2021)



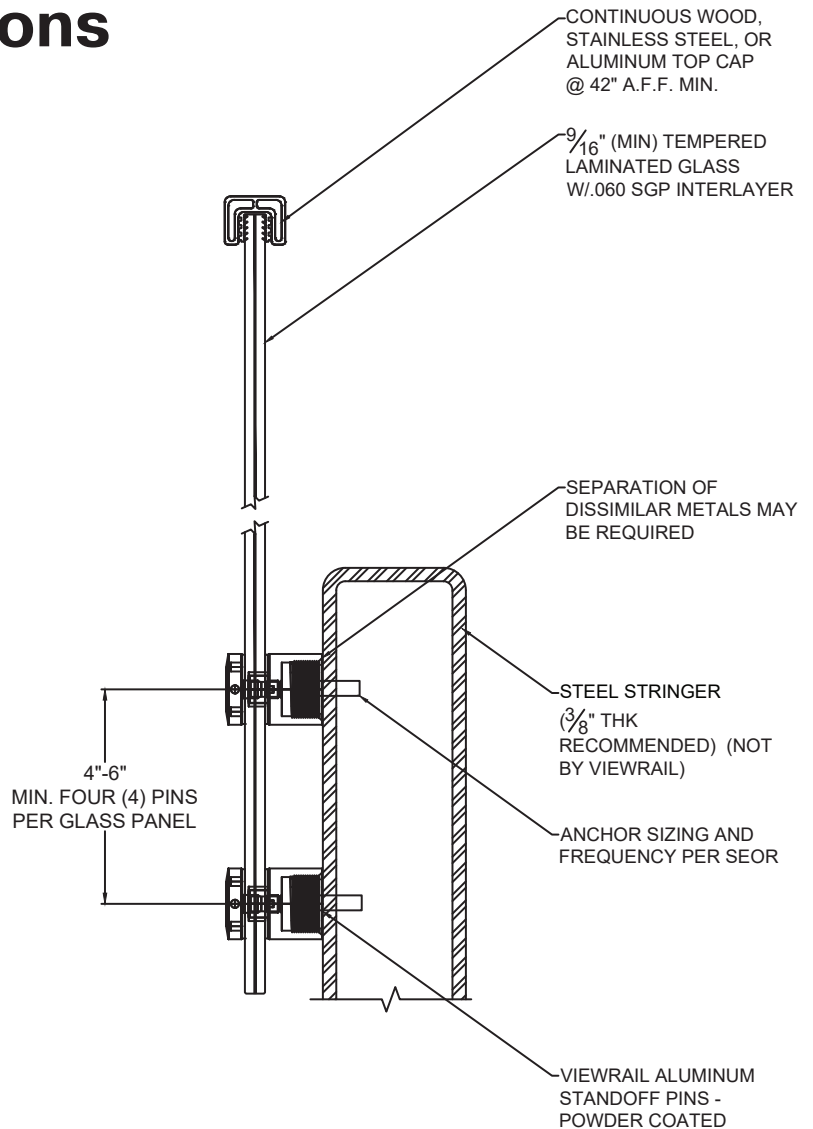
SEOR- Structural Engineer of Record

# Assembly



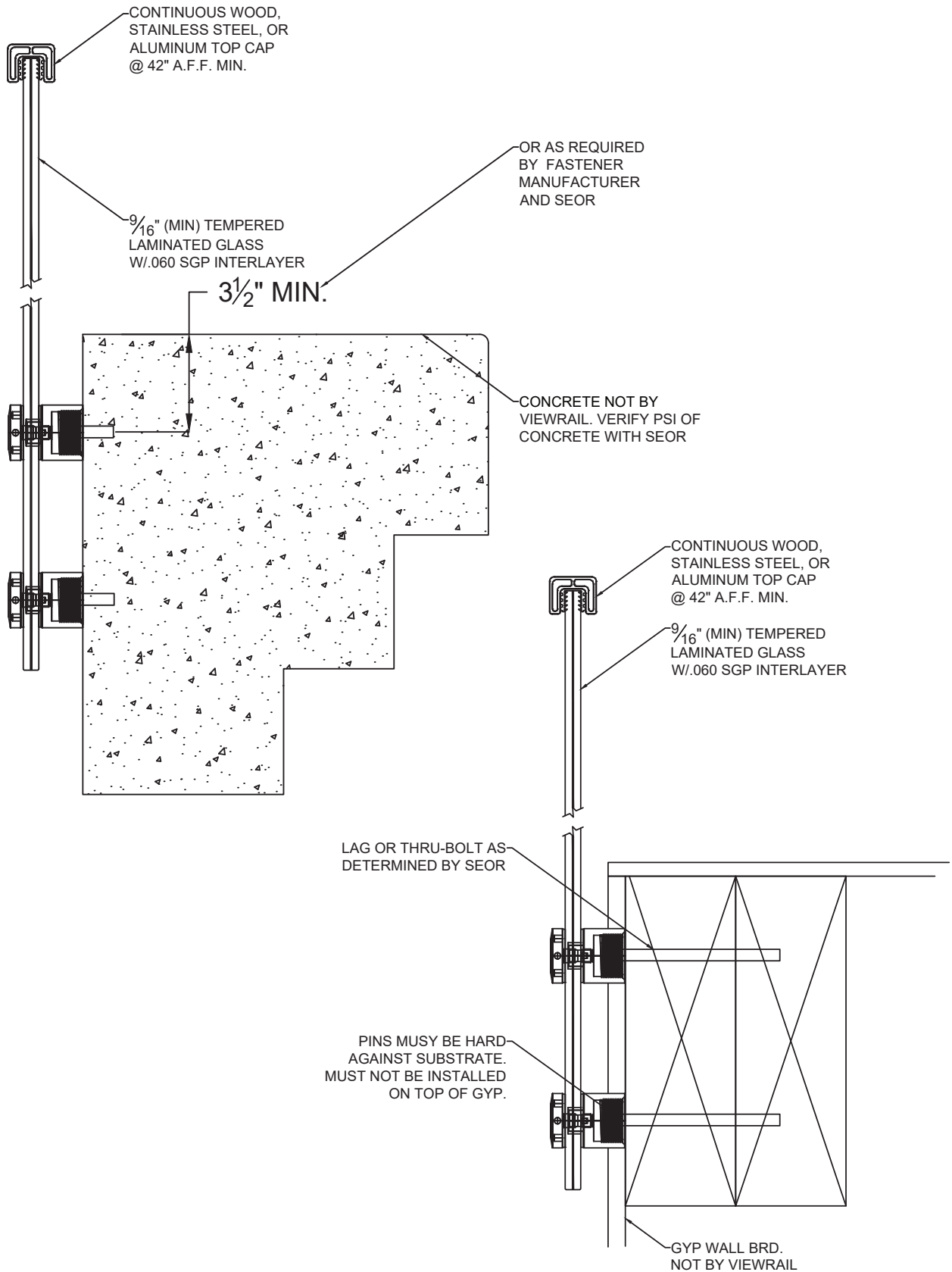
## Mounting Applications

### Mounting on Level Sections



SEOR- Structural Engineer of Record

# Mounting on Level Sections



SEOR- Structural Engineer of Record

# Mounting on Treads

