



VIEWRAIL

Base Rail

Viewrail is America's leading producer of frameless glass systems. Base Rail is defined by strength, clean lines, and gorgeous views. To provide the greatest strength and durability, the Viewrail Base Rail channel is made from a solid piece of anodized aluminum. It is then finished with anodized aluminum covers, which are powder coated with our 2605 powder coat and finished off with a rubber seal around the glass. Base Rail is ICC approved, and passes all testing for interior or exterior IRC and IBC requirements.



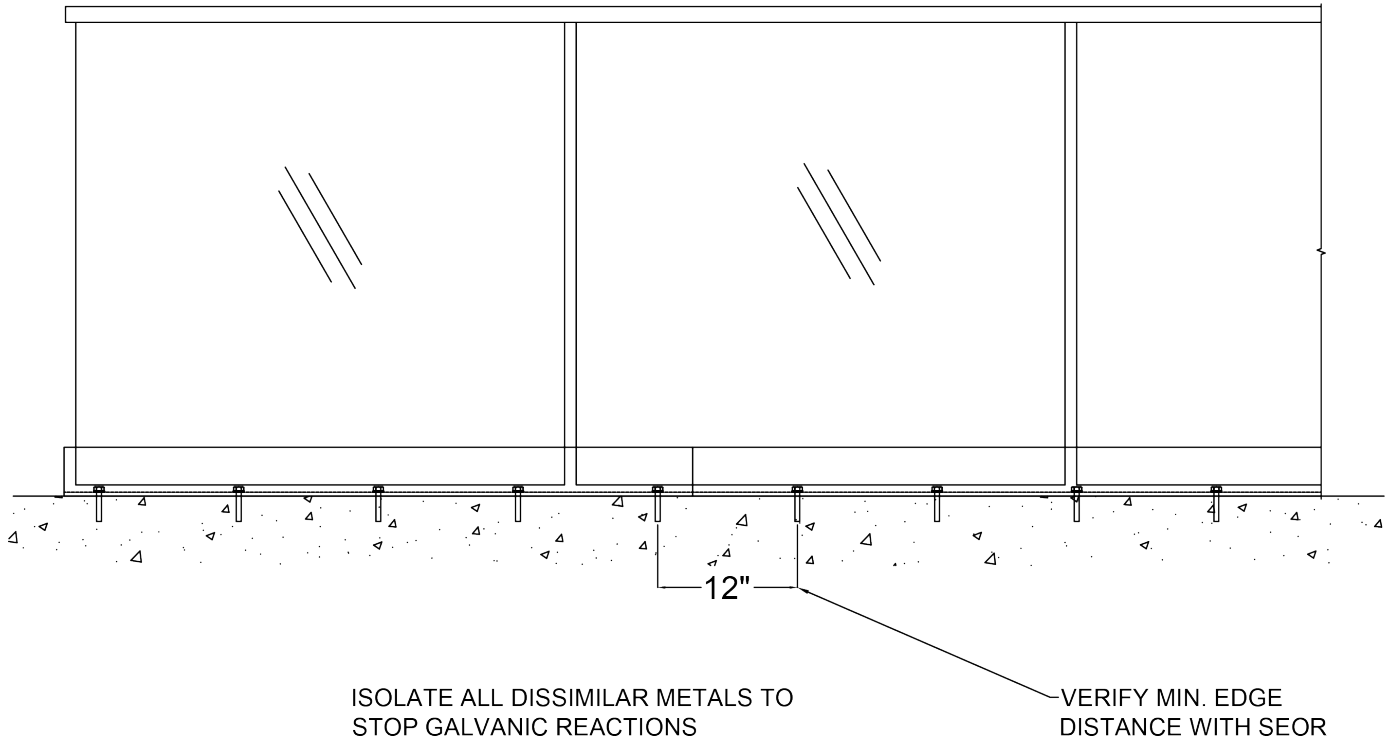
When it comes to responsibly-made, thoroughly-tested frameless glass systems, there is no competition.

Base Rail Assemblies					
Part Number	Description	Length	Hole Spacing	Hole Size	Weight
623511	3/4" Assembly	4'-6"	4" (3" on edges)	.9 X .55 Oval	21 lbs
390316	1/2" Assembly	4'-6"	Varies	1.125 CS X .55 Thru	21 lbs

Base Rail Cladding		Stainless Steel	Aluminum	End Caps	Stainless Steel	Aluminum
Part Number	Description	Part Number	Part Number	Angle	714837	396445
Base Rail Cladding 4' 6"	4' 6"	712287	387797	Level	714807	396980
Base Rail Cladding 8'	8'	712286	387798			
Base Rail Cladding 12'	12'	714029	387799			



Properties



Tech Specifications

Material: 6061 Aluminum (Aircraft Grade)

Finishes: Custom powder coated to order

Height: Up to 42" Tall (System Height)

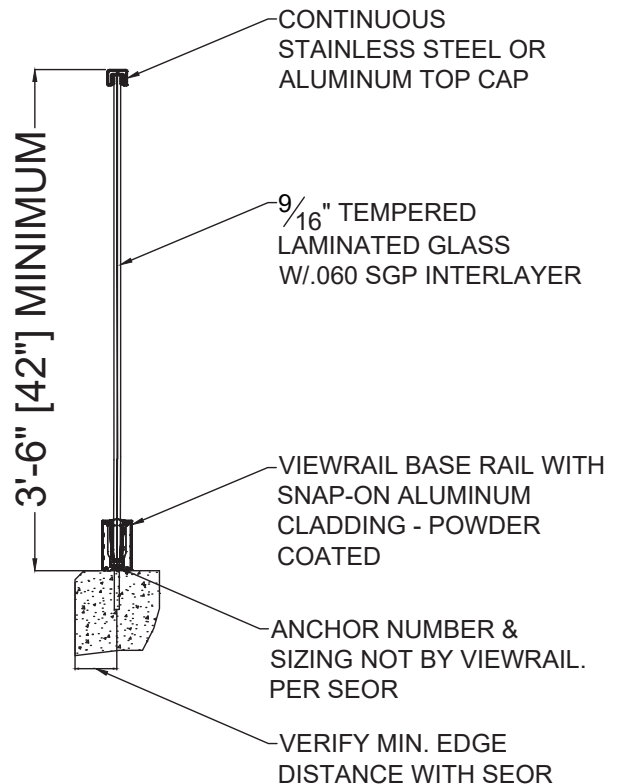
Standard Spacing: 1" Between Panels

Mount Type: Surface

Composition: Extruded from Solid Aluminum

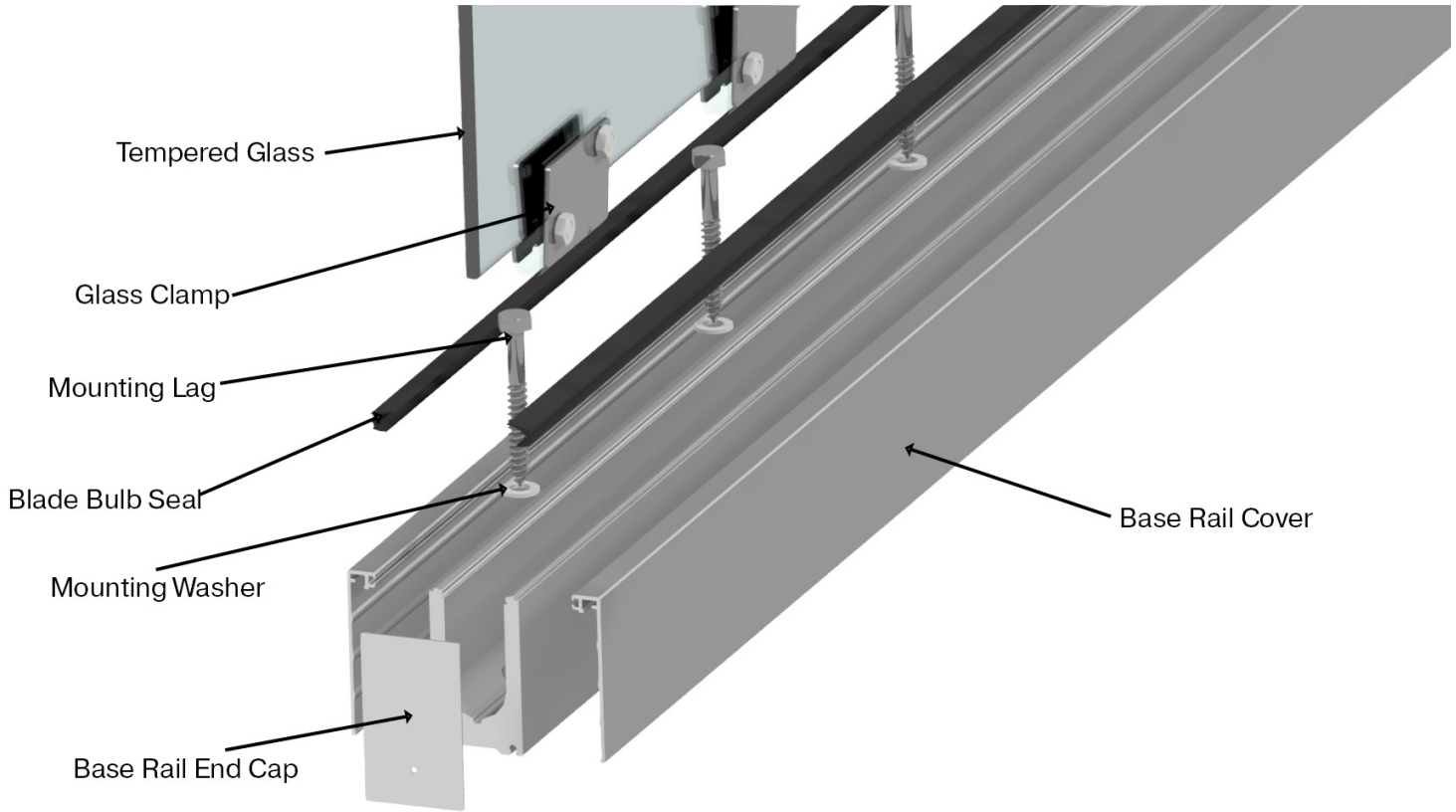
Infill Options: 1/2" Tempered,
9/16" & 3/4" Laminated Glass

Compliance: ICC International Code Council,
IBC International Building Code®
(2015,2018,2021),
IRC International Residential Code®
(2015,2018,2021)



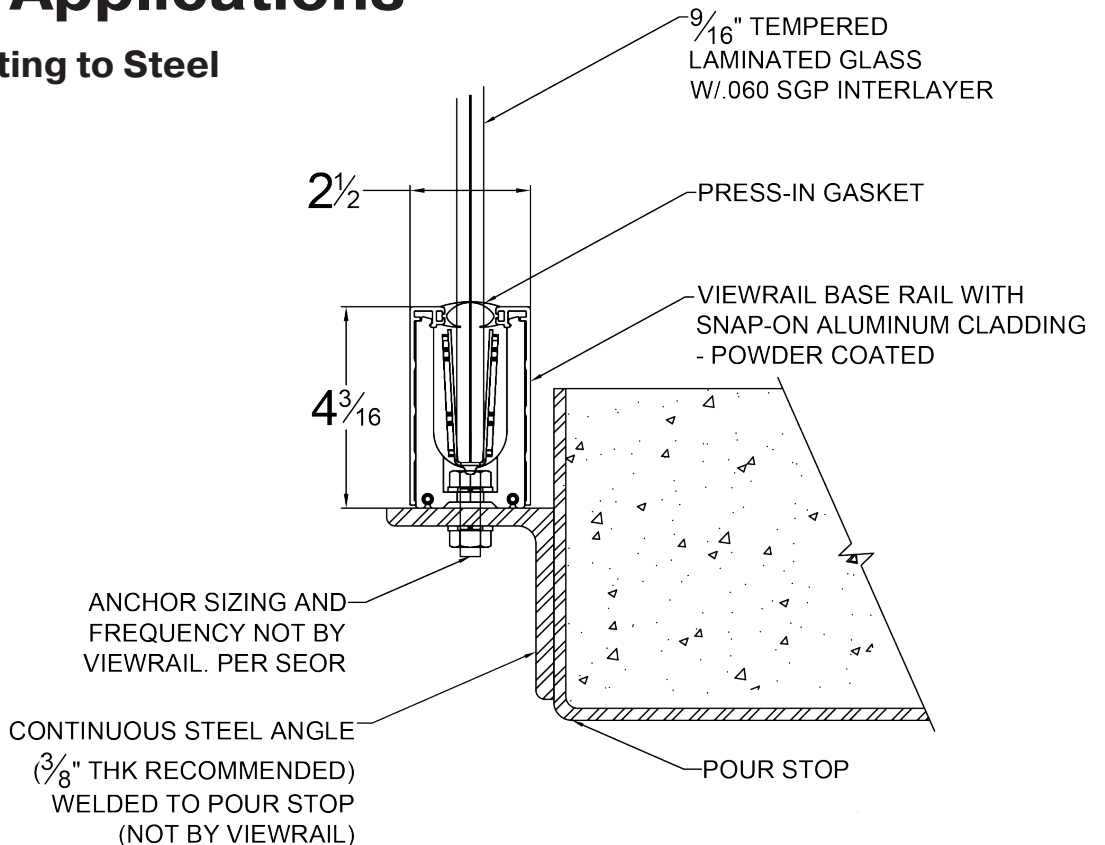
SEOR- Structural Engineer of Record

Assembly



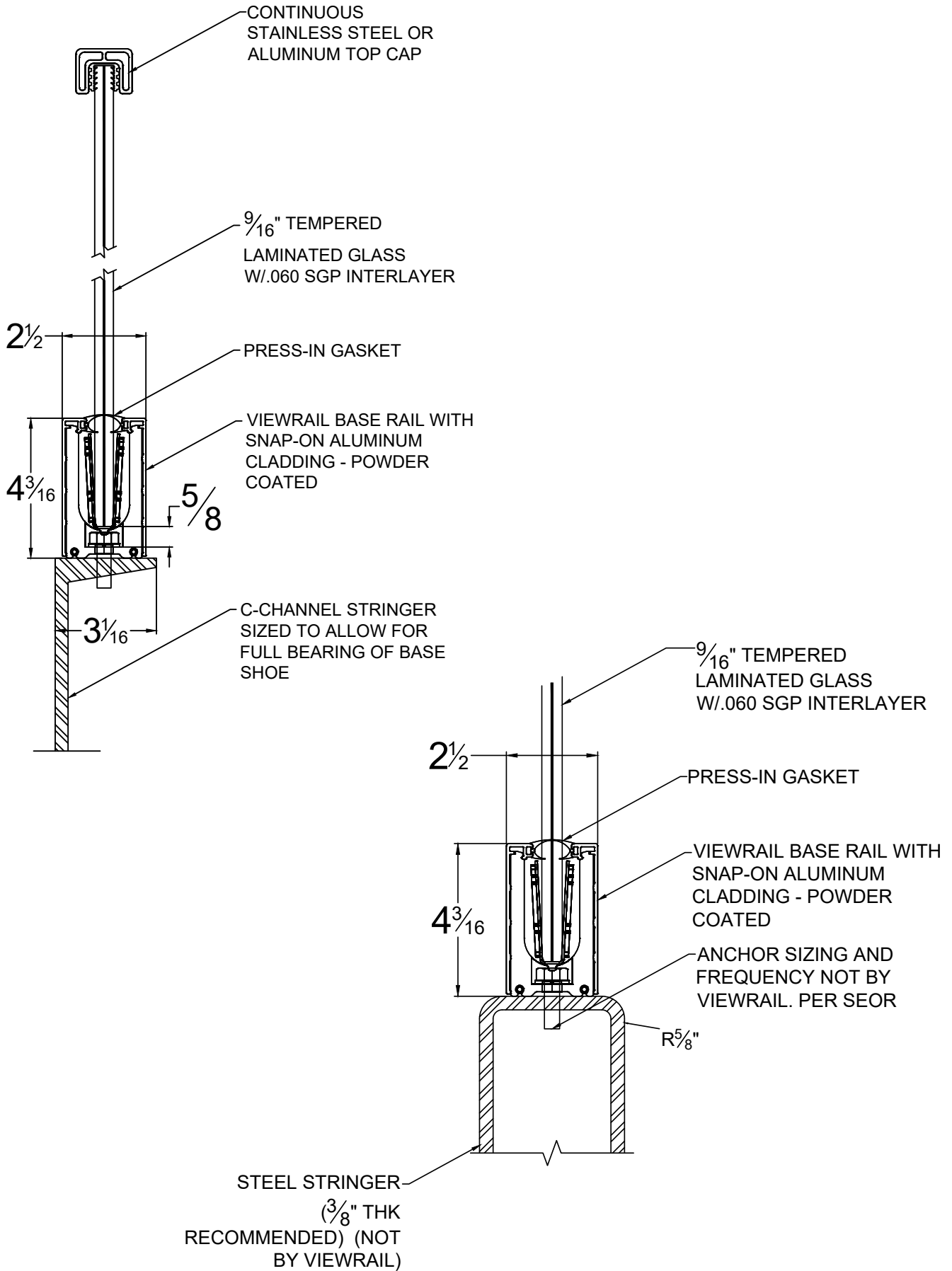
Mounting Applications

Surface Mounting to Steel



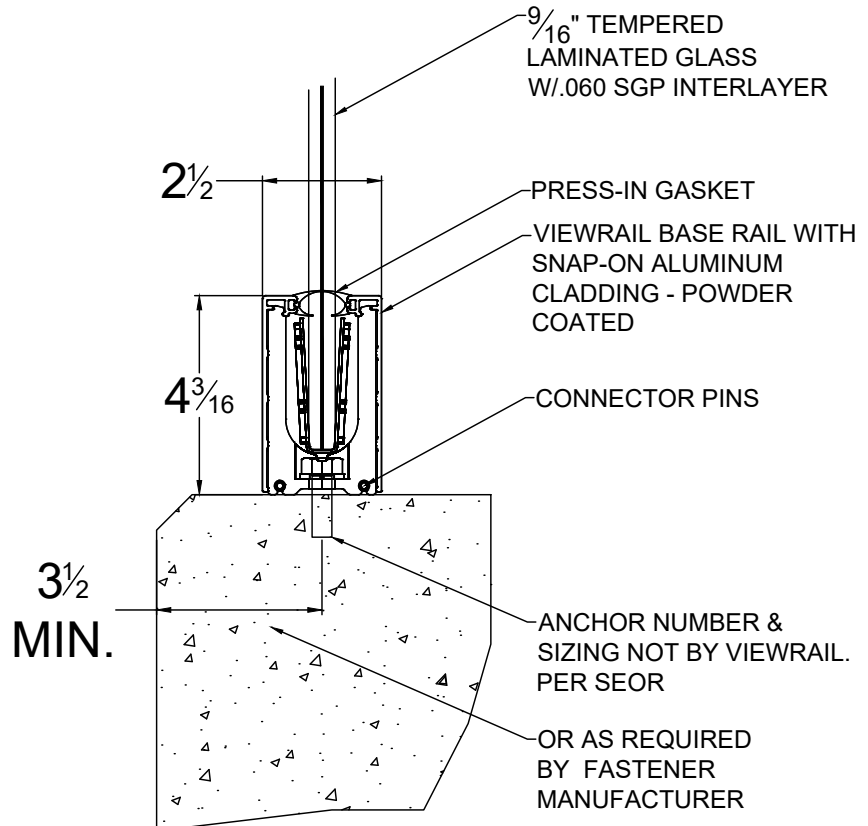
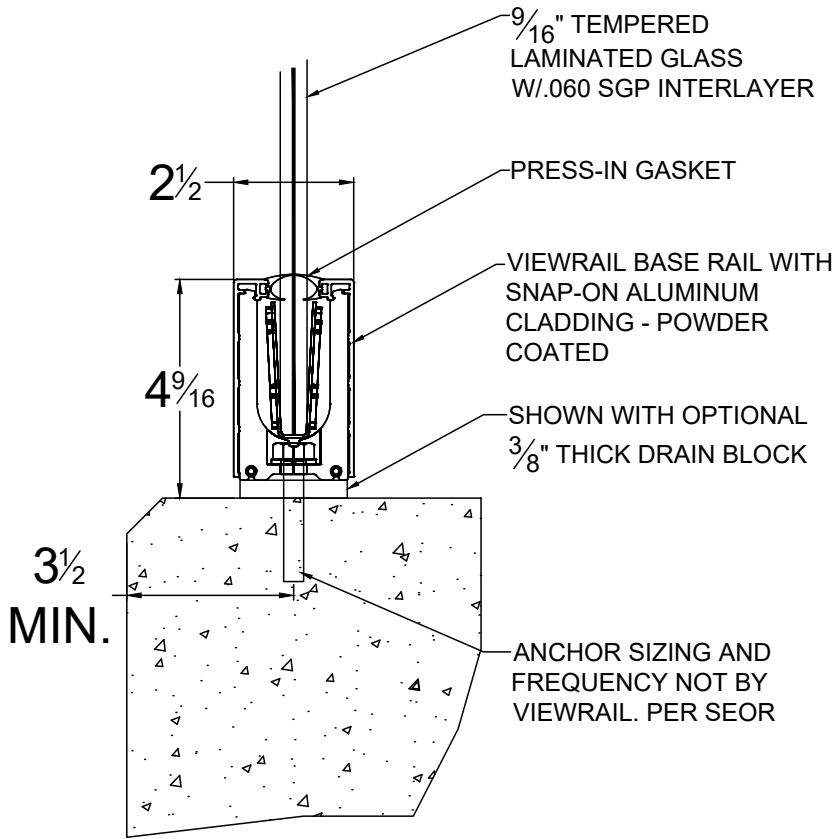
SEOR- Structural Engineer of Record

Surface Mounting to Steel



SEOR- Structural Engineer of Record

Surface Mounting to Concrete



SEOR- Structural Engineer of Record