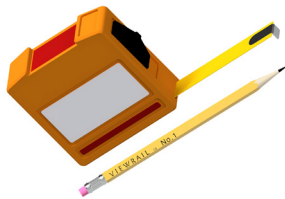


## Tools Needed for this Installation



Tape Measure & Pencil



Drill



7/32" Wood Drill Bit



Impact Drill



1/2" Socket Bit



Post Level  
*(Provided)*



1/2" Open Ended Wrench



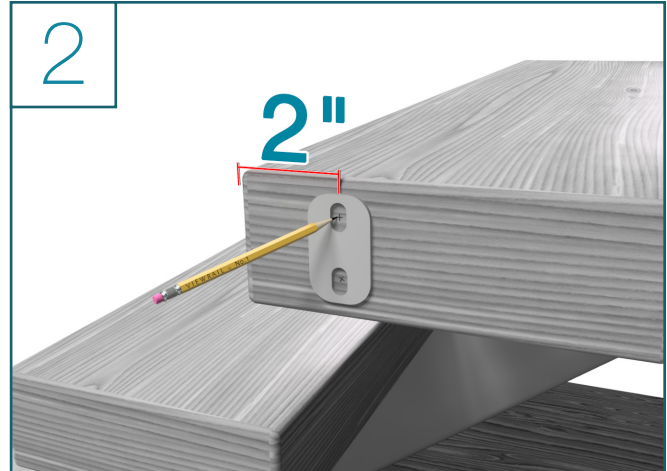
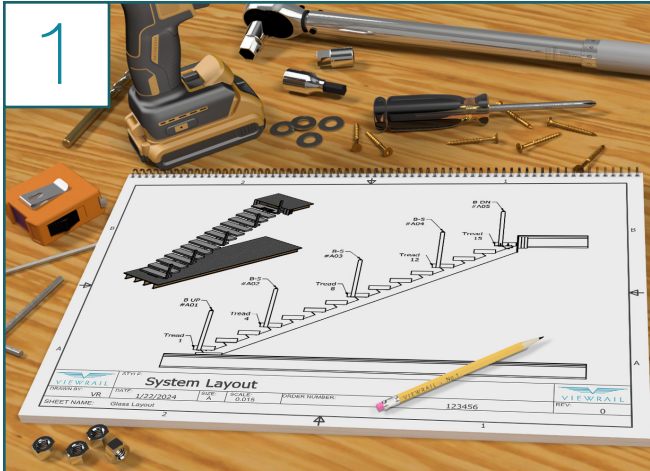
Dead Blow Hammer

## Things to Know Before You Get Started

- Read over the provided material prior to the start of your installation
- Many of our products are aided by a second or third set of hands, in some cases it can be a necessity. Plan accordingly.
- Thick Tread Side Mounted Posts are designed for mounting to treads that are at least 3 1/2" thick. DO NOT attempt to mount Tread Side Mount Posts to treads less than 3 1/2" thick.



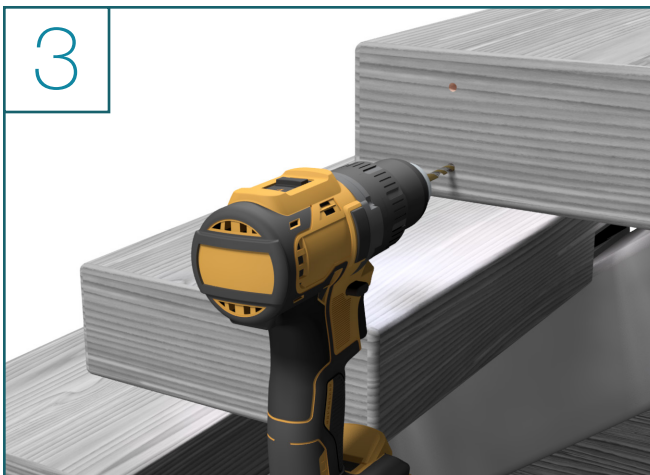
## Thick Tread Side Mounted Post Installation Steps



- Refer to your Layout Drawing to determine the mounting location for each of the posts
- Set aside the following parts and hardware for each post
  - 1 - Post Tube Assembly
  - 1 - Tread Side Mount Post Doubler Plate
  - 2 -  $\frac{3}{8}$ " x 5" Hex Head Lag Screws
  - 1 - Post Plug

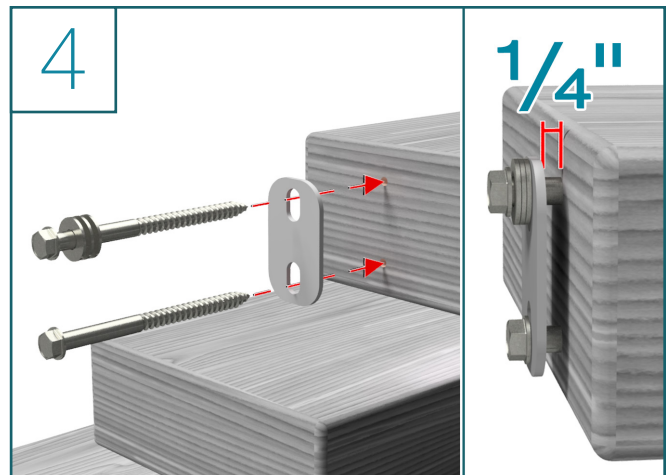
- Center the Doubler Plate  $\frac{27}{8}$ " from the front of the tread, and mark the center of each hole
- When properly marked, pilot holes should be 2" apart on center

*Note: For Inset Tread Mounted Post systems, the tread will be predrilled.*



- Drill a  $\frac{7}{32}$ " pilot hole in both marked locations

*Note: For Inset Tread Mounted Post systems, the tread will be predrilled.*



- Position the Doubler Plate over the pilot holes
- Stack 3 Stainless Steel Washers on to a  $\frac{3}{8}$ " x 5" Hex Head Lag Screw and position it to go into the top hole of the Doubler Plate - No washers go on the bottom lag
- Run Lag Bolts into each of the pilot holes

*Note: The purpose of the washers is to off set the two lag screws, making both accessible for tightening.*

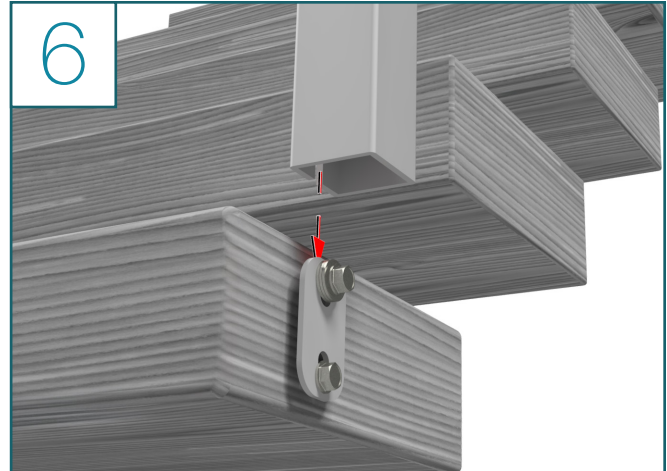
*Note: Do not seat Lag Screws full depth during this step. Leave  $\frac{1}{4}$ " between the tread and the doubler plate. This will allow for the post to slide down between the tread and plate.*

### Thick Tread Side Mounted Post Installation Steps (Continued)

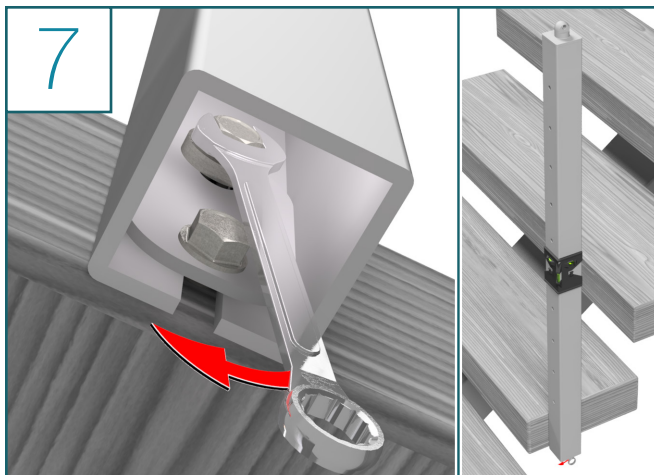


#### For Rod Infill Only

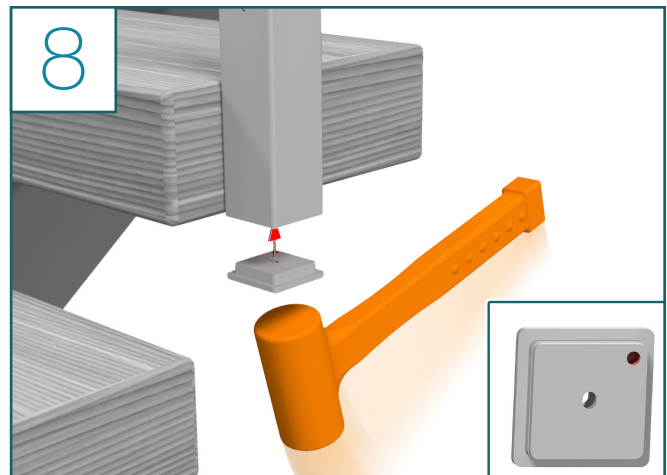
- Slide the Foam Insert into each post
- This ensures that the rods will not rattle & make noise



- Slide the slotted side of your Tread Side Mount Post over the Doubler Plate



- Using an open end wrench, tighten the top lag bolt, then the bottom lag bolt, until the post is mounted tightly against the tread
- During this process, use the provided post level to ensure that the post is plumb



- Once your post is plumb and secure, tap in your Tread Side Mount Post Plug with a rubber mallet

*Note: If the post plug is powder coated, cover with a cloth while tapping to protect the finish. It may still be necessary to touch up the finish once the entire job is complete.*

## Congratulations! You're done with this section.

We'd love to see your work! Snap a few pics with your phone and send them to [pictures@viewrail.com](mailto:pictures@viewrail.com). Thanks for choosing Viewrail. Enjoy your new installation!