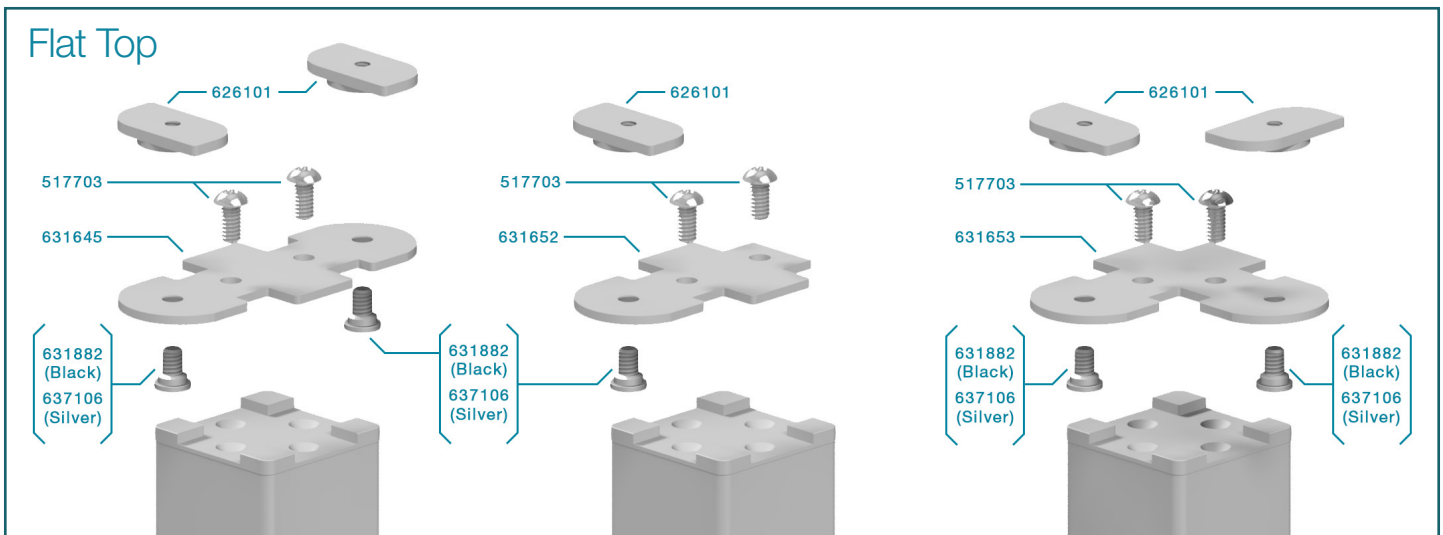
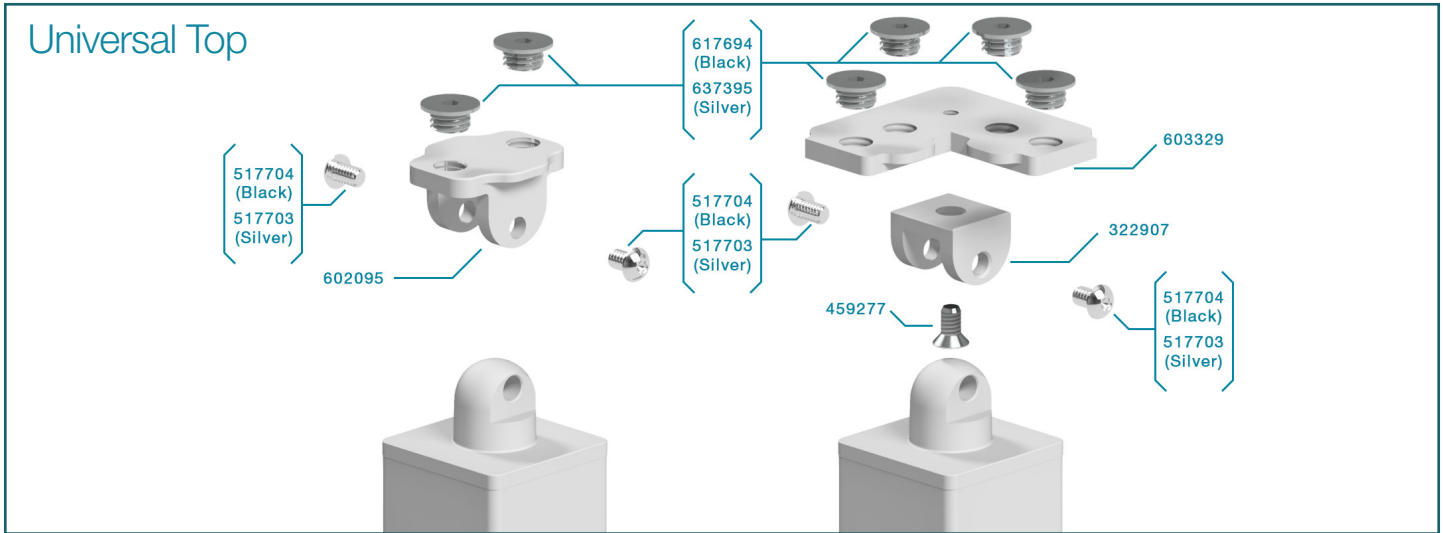


# Quick Slide Handrail Brackets



**Universal Top Handrail Post Parts List**

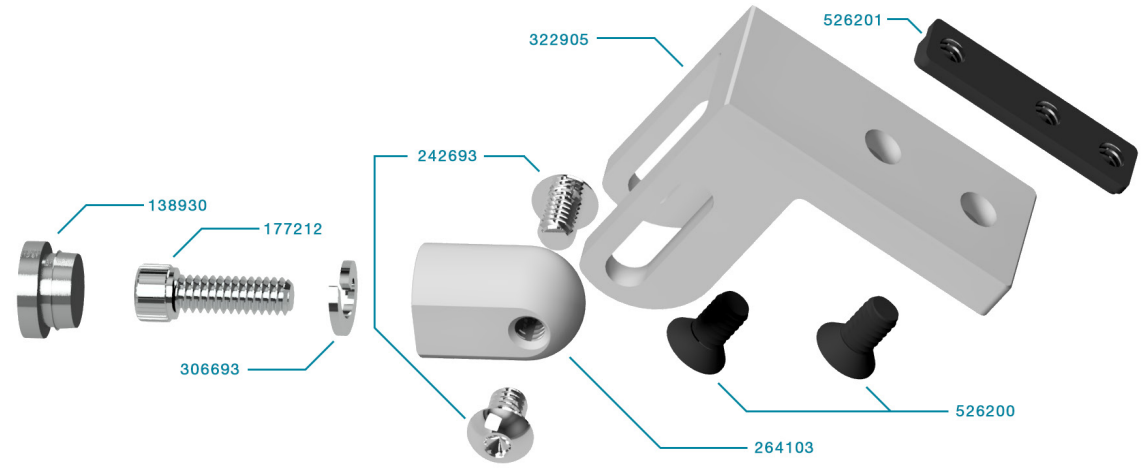
	Part #	Qty	Description
Straight Bracket	617694	2	Quick Slide - Top Hat Set Screw Black Anodized - Gen 2
	637395		Quick Slide - Top Hat Set Screw Clear Anodized - Gen 2
	602095	1	Quick Slide - Universal Straight Handrail Bracket - Gen 2
	517704	2	1/4"-20 x 1/2" BTN SOC CAP 316 Stainless - Black Finish
	517703		1/4"-20 x 1/2" BTN SOC CAP 18-8 Stainless - Electropolished
Corner Bracket	617694	2	Quick Slide - Top Hat Set Screw Black Anodized - Gen 2
	637395	2	Quick Slide - Top Hat Set Screw Clear Anodized - Gen 2
	603329	1	Quick Slide - Universal Top Corner Bracket - Gen 2
	322907	1	Quick Slide - Corner Bracket Dome Connector
	459277	1	1/4-20 x .575" Reduced Head 6061 82° Screw
	517704	2	1/4"-20 x 1/2" BTN SOC CAP 316 Stainless - Black Finish
	517703		1/4"-20 x 1/2" BTN SOC CAP 18-8 Stainless - Electropolished

**Flat Top Handrail Post Parts List**

	Part #	Qty	Description
Straight Bracket	626101	2	Quick Slide Flat Top Plate Nut - Gen 2
	517703	2	1/4"-20 x 1/2" BTN SOC CAP 18-8 Stainless - Electropolished
	631645	1	Quick Slide Flat Top Straight Bracket - Gen 2
	631882	2	Quick Slide Flat Top Screw Black Anodized - Gen 2
	637106		Quick Slide Flat Top Screw Silver Anodized - Gen 2
Half Bracket	626101	1	Quick Slide Flat Top Plate Nut - Gen 2
	517703	2	1/4"-20 x 1/2" BTN SOC CAP 18-8 Stainless - Electropolished
	631652	1	Quick Slide Flat Top Half Bracket - Gen 2
	631882	1	Quick Slide Flat Top Screw Black Anodized - Gen 2
	637106		Quick Slide Flat Top Screw Silver Anodized - Gen 2
Corner Bracket	626101	2	Quick Slide Flat Top Plate Nut - Gen 2
	517703	2	1/4"-20 x 1/2" BTN SOC CAP 18-8 Stainless - Electropolished
	631653	1	Quick Slide Flat Top Corner Bracket - Gen 2
	631882	2	Quick Slide Flat Top Screw Black Anodized - Gen 2
	637106		Quick Slide Flat Top Screw Silver Anodized - Gen 2

# Post Transition Handrail Bracket

PN: 474388

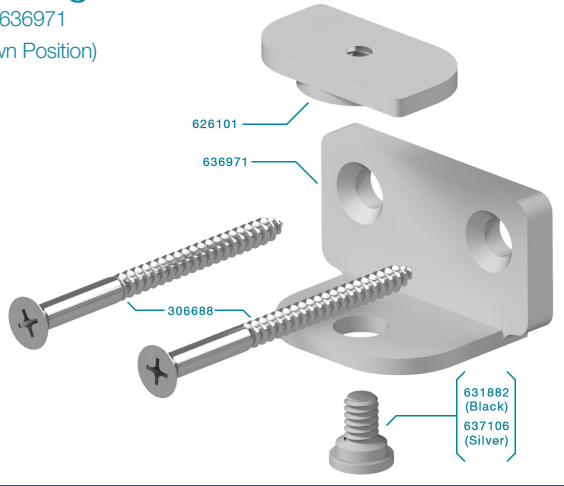


Part #	Qty	Description
526201	1	Quick Slide Nut Retainer
322905	1	Quick Slide - Adjustable Handrail Bracket
526200	2	1/4-20 x .468" Reduced Head 6061 82" Screw
264103	1	VR461 Adjustable Postside Dome
242693	2	1/4"-20 x 3/8" BTN SOC CAP 18-8 Stainless - Electropolished
306693	1	1/4" Stainless Steel Split Lock Washer
177212	1	1/4-20 x 5/8" Socket Head Cap Screw - Stainless Steel
138930	1	Steel Plug

# 90 Degree L Bracket

PN: 636971

(Down Position)

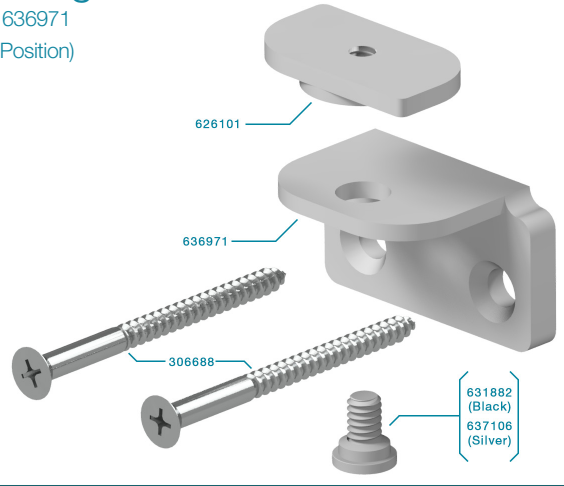


Part #	Qty	Description
626101	1	Quick Slide Flat Top Plate Nut - Gen 2
636971	1	Quick Slide - 90 Degree L Bracket - Gen 2
306688	2	Stainless Steel Wood Screw
631882	2	Quick Slide Flat Top Screw Black Anodized - Gen 2
637106	2	Quick Slide Flat Top Screw Clear Anodized - Gen 2

# 90 Degree L Bracket

PN: 636971

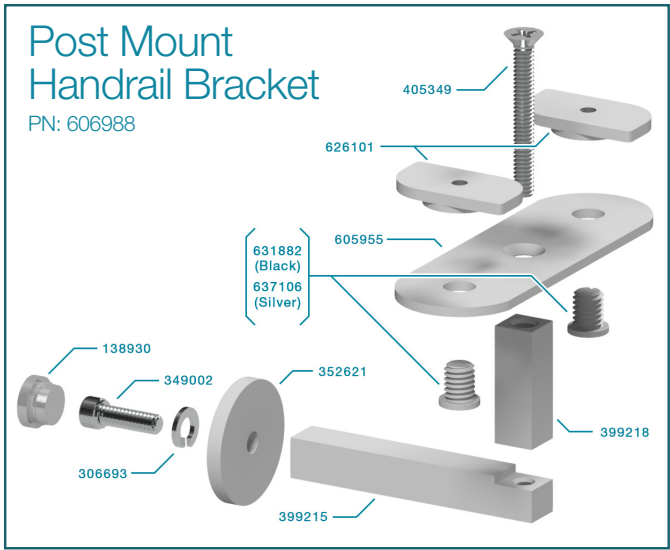
(Up Position)



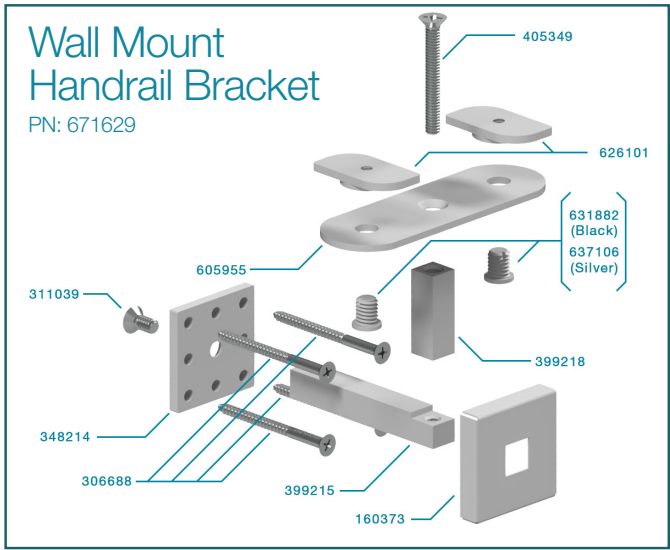
Part #	Qty	Description
626101	1	Quick Slide Flat Top Plate Nut - Gen 2
636971	1	Quick Slide - 90 Degree L Bracket - Gen 2
306688	2	Stainless Steel Wood Screw
631882	2	Quick Slide Flat Top Screw Black Anodized - Gen 2
637106	2	Quick Slide Flat Top Screw Clear Anodized - Gen 2

## Special Note Regarding the 90 Degree L Bracket

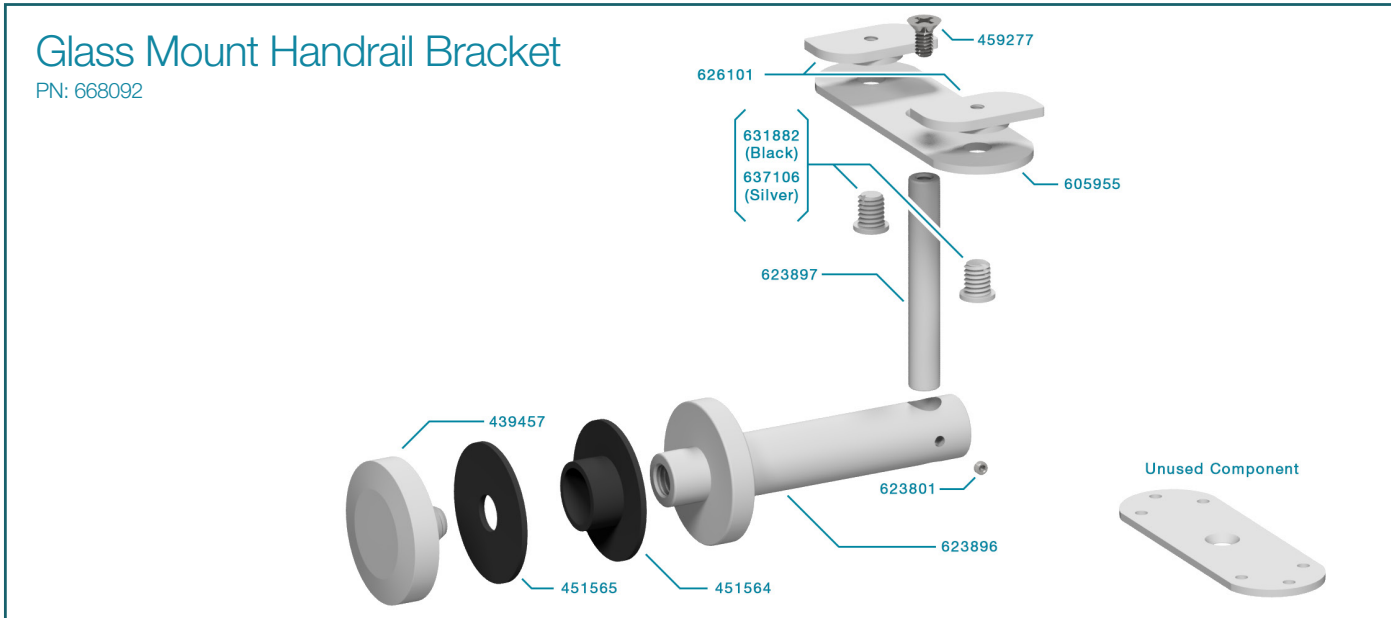
The L bracket itself can be mount either in the 'Down Position' as shown above, to the left, or in the 'Up Position' as show to the right. The 'Down Position' is used for the 1"x2" Quick Slide Handrail systems. Whereas the 'Up Position' is typically used on the Beverage Quick Slide Handrail systems.



Part #	Qty	Description
405349	1	1/4"-20 x 2" Phillips Drive Flat Head Screw - 316SS
626101	2	Quick Slide Flat Top Plate Nut - Gen 2
605955	1	Alum Handrail Quick Slide Bracket
631882	2	Quick Slide Flat Top Screw Black Anodized - Gen 2
637106		Quick Slide Flat Top Screw Clear Anodized - Gen 2
399218	1	VR453/454 Handrail Bracket Pillar Stem
399215	1	VR453/454 Handrail Bracket Base Stem
352621	1	VR454 Handrail Bracket Post Mount Plate
306693	1	1/4" Stainless Steel Split Lock Washer
349002	1	1/4-20 x 3/4" Socket Head Cap Screw - Stainless Steel
138930	1	Steel Plug



Part #	Qty	Description
405349	1	1/4"-20 x 2" Phillips Drive Flat Head Screw - 316SS
626101	2	Quick Slide Flat Top Plate Nut - Gen 2
605955	1	Alum Handrail Quick Slide Bracket
631882	2	Quick Slide Flat Top Screw Black Anodized - Gen 2
637106		Quick Slide Flat Top Screw Clear Anodized - Gen 2
399218	1	VR453/454 Handrail Bracket Pillar Stem
399215	1	VR453/454 Handrail Bracket Base Stem
160373	1	VR453 Handrail Bracket Cover
348214	1	VR453 Handrail Bracket Wall Mount Plate
311039	1	1/4-20 x 1/2" Phillips Flat Head
306688	4	Stainless Steel Wood Screw



Part #	Qty	Description
459277	1	1/4-20 x .575" Reduced Head 6061 82° Screw
626101	2	Quick Slide Flat Top Plate Nut - Gen 2
605955	1	Alum Handrail Quick Slide Bracket
631882	2	Quick Slide Flat Top Screw Black Anodized - Gen 2
637106		Quick Slide Flat Top Screw Clear Anodized - Gen 2
623897	1	Alum Glass Handrail Adjust Stem

Part #	Qty	Description (Continued)
623896	1	Alum Glass Handrail Bracket Stem
623801	1	Set Screw 10-32 x 1/8" Stainless
451564	1	Gasket Combined .781 ID x 1.94 OD x .090 THK
451565	1	Gasket .51 ID x 1.94 OD x .090 THK
439457	1	2" Interior Standoff Pin End Cap