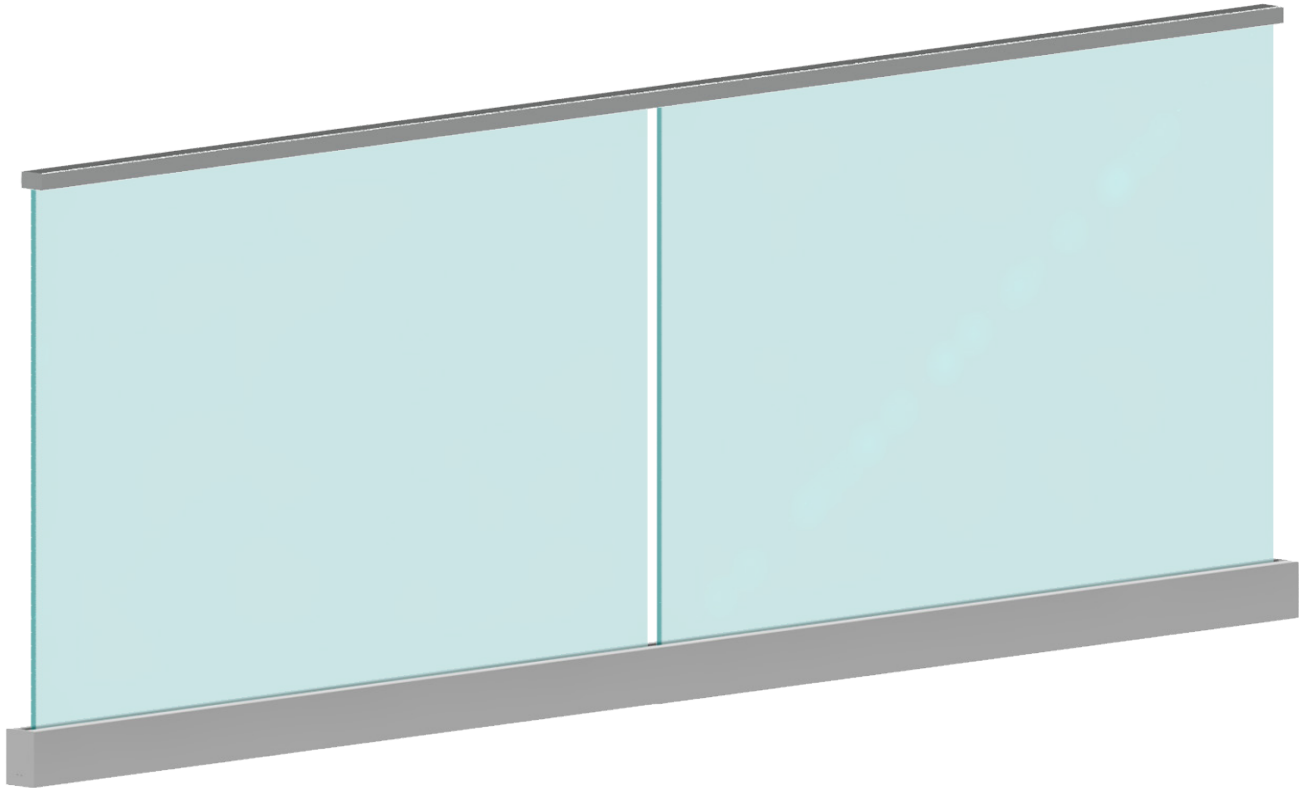




3/4" Glass Base Rail Installation Guide

Look for this sticker
on hardware bags

STRUCTURE



Tools Needed for the Installation

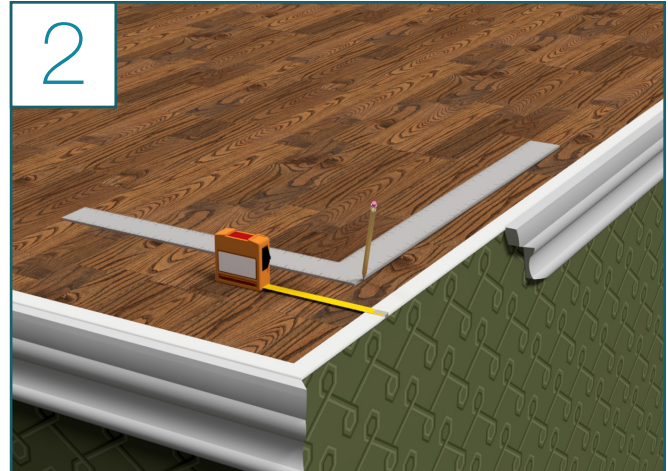
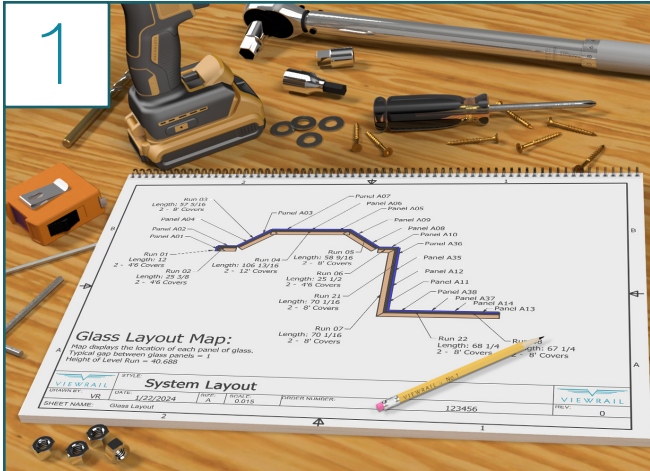
- Pencil
- Tape Measure
- Level
- Rubber Mallet
- 3/16" Allen Wrench
- Drill
- 3/4" Socket Wrench/Bit
- Silicon/Epoxy
- Miter Saw
- Glass Suction Cup Handles (Provided)

Things to Know Before You Get Started

- Read over the provided material prior to the start of your installation
- This is, at minimum, a 2 person job
- Viewrail Glass systems and fittings are designed to have a 1" gap between panels of glass

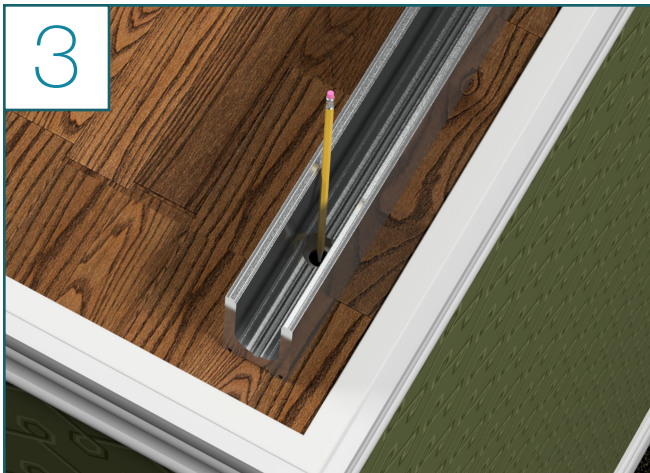


Glass Base Rail Installation Steps



- Refer to your detailed project drawing and quote list to identify the parts needed
- Prepare the parts for each run you will be working on

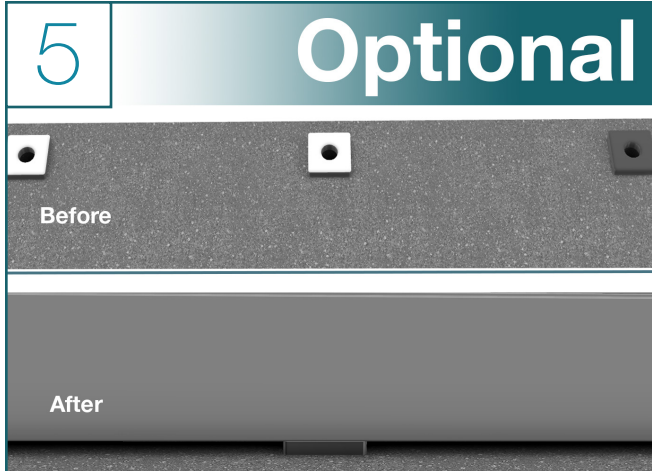
- Measure the distance from the edge of the mounting surface where you will mount the Base Rail
- Mark accordingly across the surface
- Use a chalk line to mark your full run location



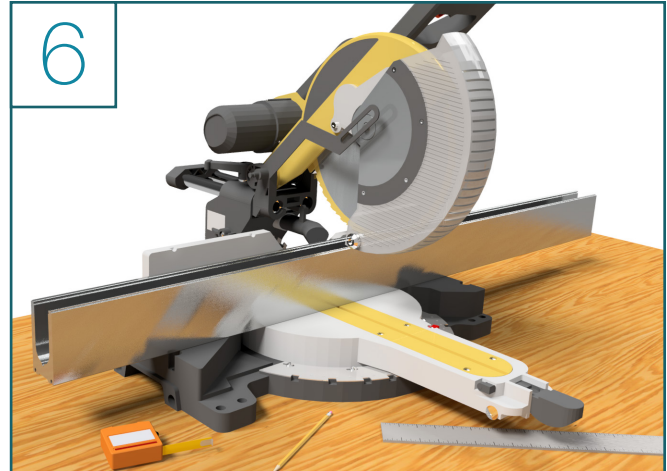
- Place your base rail parts in place so you can see the chalk line through the mounting holes
- When in place, use a pencil or pen to mark your centerline holes

- Remove the Base Rail and use a 3/8" drill bit to drill 3 1/2" down in each marked location

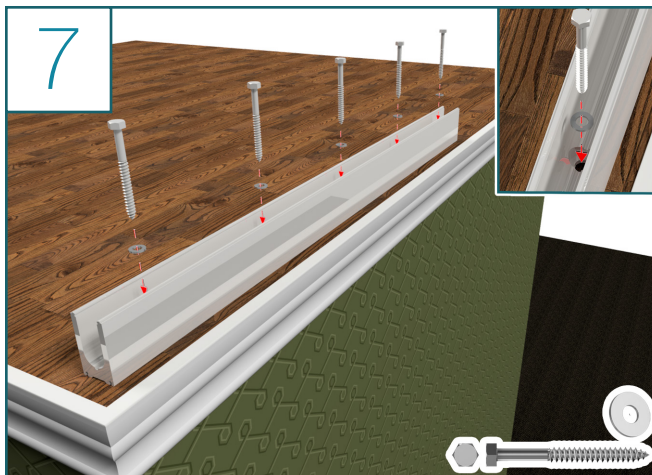
Glass Base Rail Installation Steps (Continued)



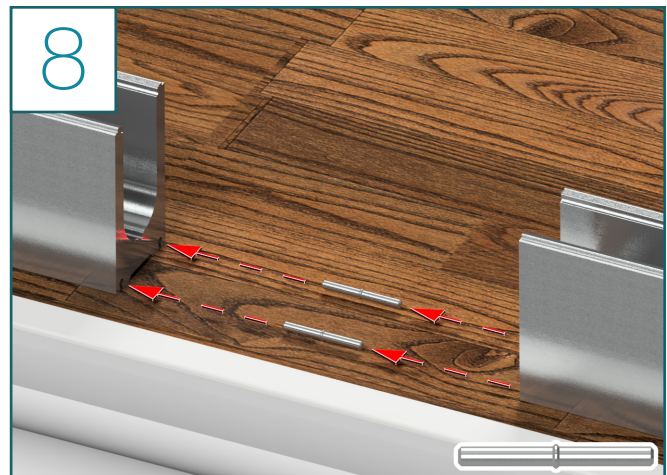
- For exterior decking that does not adequate drainage, the Base Rail Drain Block may be used to allow water to seep under the base rail
- To install, place each shim over the previously drilled holes and continue with your installation



- It may be necessary to cut the base rail to length
- It is important to leave at least 2 mounting holes on the part of the base rail you intend to use
- The minimum length that can be used 18 1/2"
- If you need a smaller section then, you would need to cut the preceding base rail down as well to allow for the next piece to be able to be mounted securely

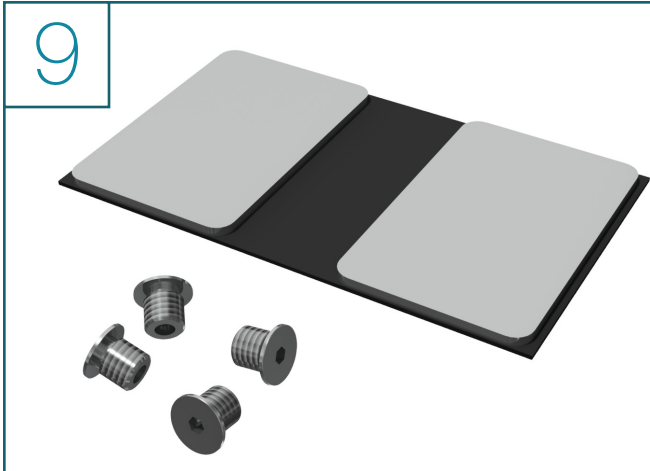


- Place your base rail where it will be mounted down
- Set the mounting washer into the mounting hole
- Using a 3/4" socket wrench fasten the 1/2" x 4" lag down into your surface, repeat this for each mounting location on this Base Rail

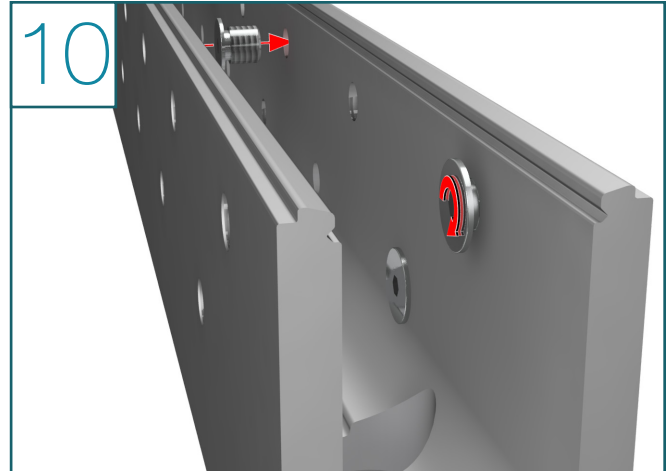


- Where two Base Rail lengths butt up against each other, you will need to use the joining pins to connect them
- Connect the two Base Rail lengths by sliding them together. The raised edge on the joining pin will cause a slight gap. This is not a problem for installation
- Connect the two Base Rails together and repeat steps 1-6 for the new Base Rail length

Glass Base Rail Installation Steps (Continued)



- Prepare the glass pressure plate, the adhesive rubber gasket, and the base rail set screws



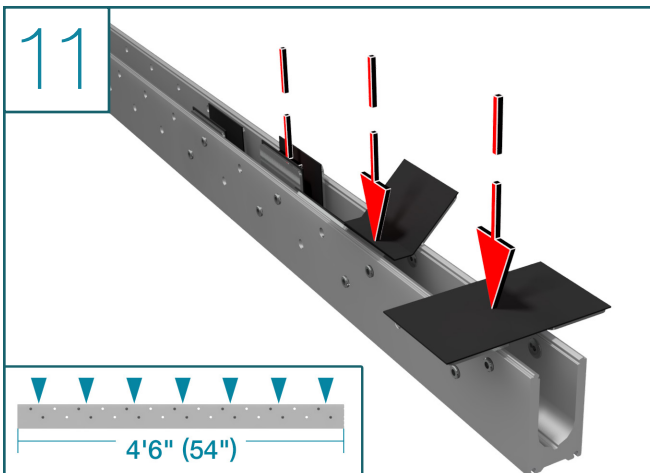
- Begin threading in the Base Rail Set Screws with the wide, flat end facing towards the glass

Residential

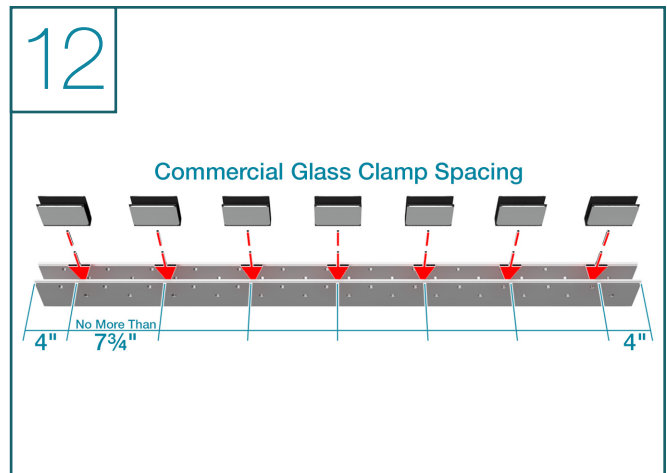
- Prepare a minimum of 4 locations per 4'6" rail

Commercial

- Prepare a minimum of 7 locations per 4'6" rail (ICC ESR-4799)
- Thread the screws so the flat part of the screw is against the inside body of the base rail - Do this on both sides of the Base Rail

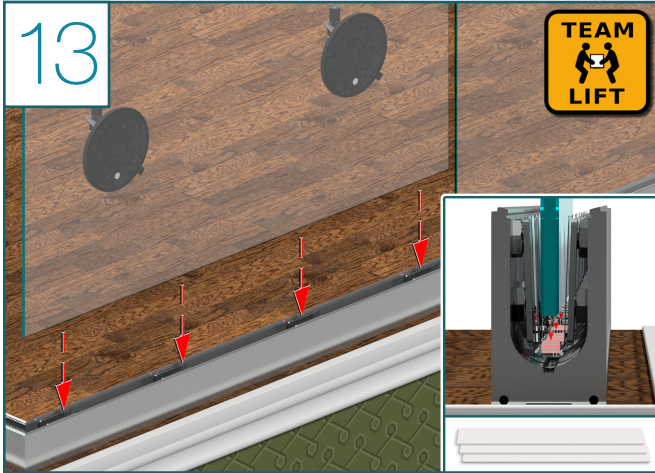


- Place the rubber and steel plate combination into the channels at these screw locations



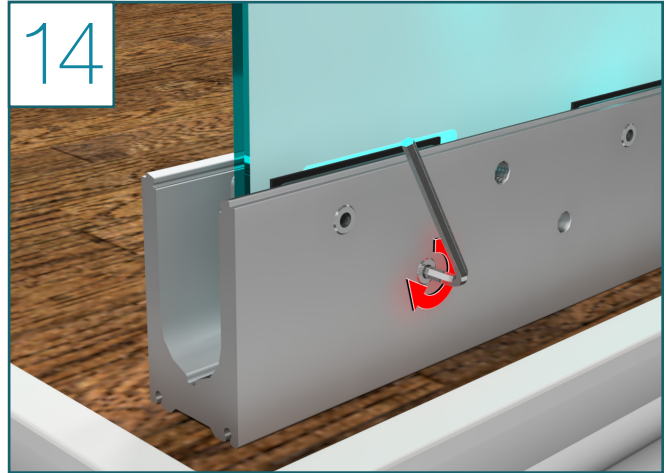
- For the strongest installation, make sure to follow the glass clamp assembly spacing outlined above
- For rail sections that have to be cut down to fit the run, the rule of thumb is to ensure you have a glass clamp 4" from each edge of the glass panel to the center of the glass clip
- Space the remaining clips no further than 7 $\frac{3}{4}$ " apart, center to center

Glass Base Rail Installation Steps (Continued)

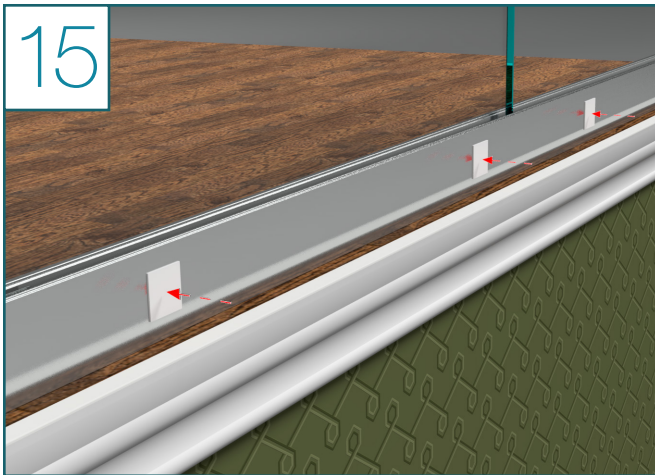


- With the grips in place, refer to your drawings and panel labels
- Use the suction cups to move each panel into place on the base rail

Note: To adjust for a sloped mounting surface, Glass Shims can be added to the glass clamps, as shown above, to line up the tops of each panel. These are able to be stacked to achieve the desired results.

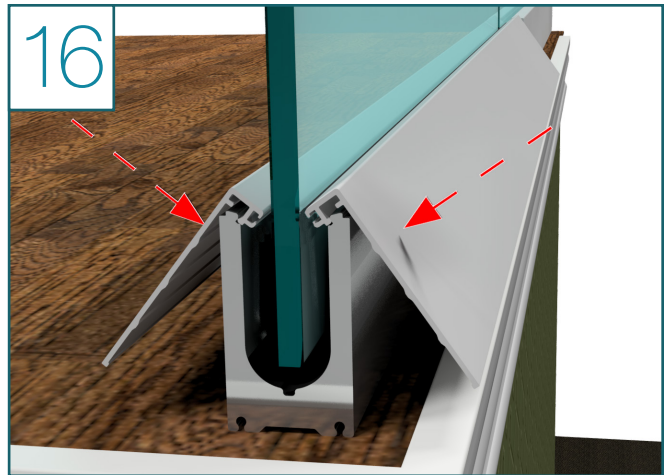


- When the glass is prepped, use a 3/16" Allen wrench to tighten the set screws against the pressure plate to hold the glass
- You can loosen one set of screws and tighten the other to help plumb the glass



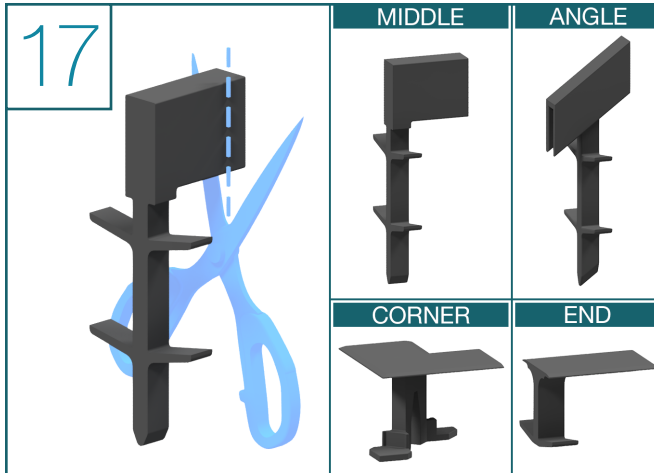
- Using the table below, stick the provided 2" adhesive pads to each base rail section using the table below

Base Rail Cover Length	Number of Adhesive Pads to Use per Side
4' 6" (54 Inches)	2
8' (96 Inches)	3
12' (144 Inches)	4

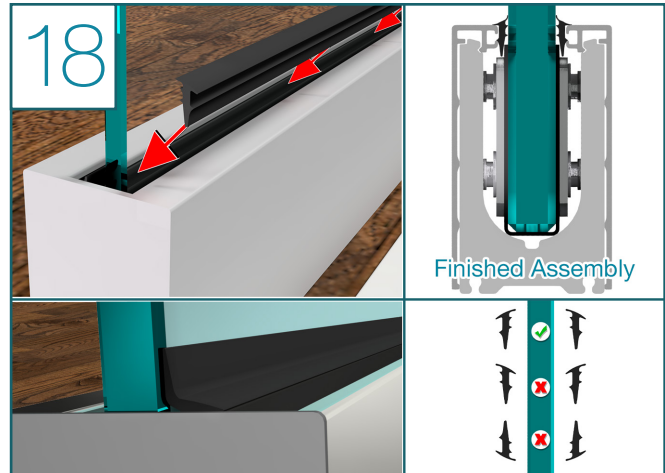


- Take each cover and clip them into place
- The lip of the cover should lock in place on the inside of the channel
- Tap them down to ensure they are seated properly
- It may be necessary to use a rubber mallet to properly seat the covers

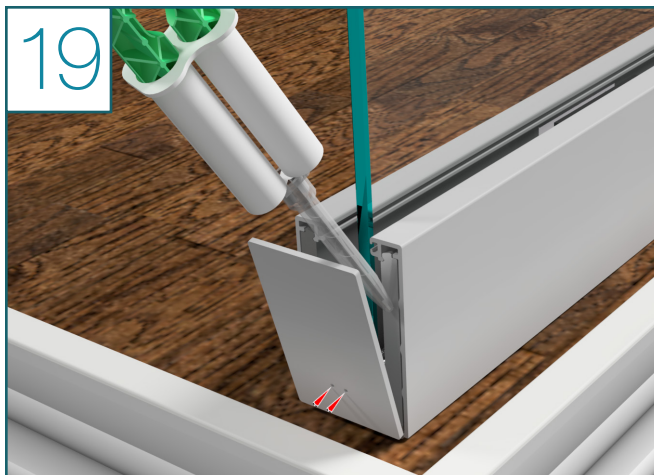
Glass Base Rail Installation Steps (Continued)



- Once the covers are fully seated, locate the Gap filler pieces
- Begin installing your gap filler pieces in between each pair of glass panels by cutting each piece to size and placing the pointed edge down into the channel
- The flexible barbs will hold each piece in place



- Measure the run & cut the gasket to length using scissors or a knife
- Make sure to not stretch the gasket when measuring it for cutting as it will shrink back to its original size and end up leaving a portion of the inner base rail exposed
- Using glass cleaner as a lubricant, begin pushing the gasket down inside the channel working from left to right



- For any exposed end of the Base Rail, attach the Base Rail End Cap
- You can use silicone or epoxy to hold it into place
- Make sure to have the “weep hole” positioned at the bottom of the end cap and no silicone covering it up

Congratulations!
You're done with this section.

We'd love to see your work! Snap a few pics with your phone and send them to pictures@viewrail.com.
 Thanks for choosing Viewrail. Enjoy your new installation!