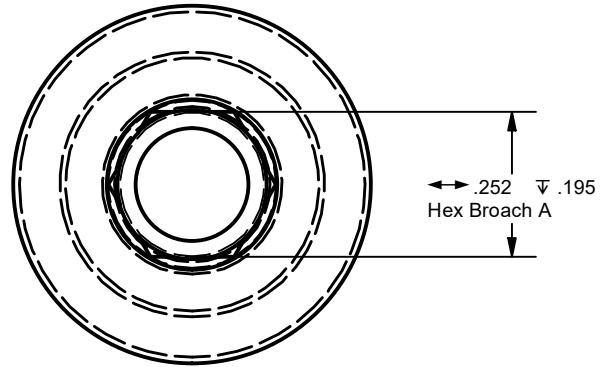
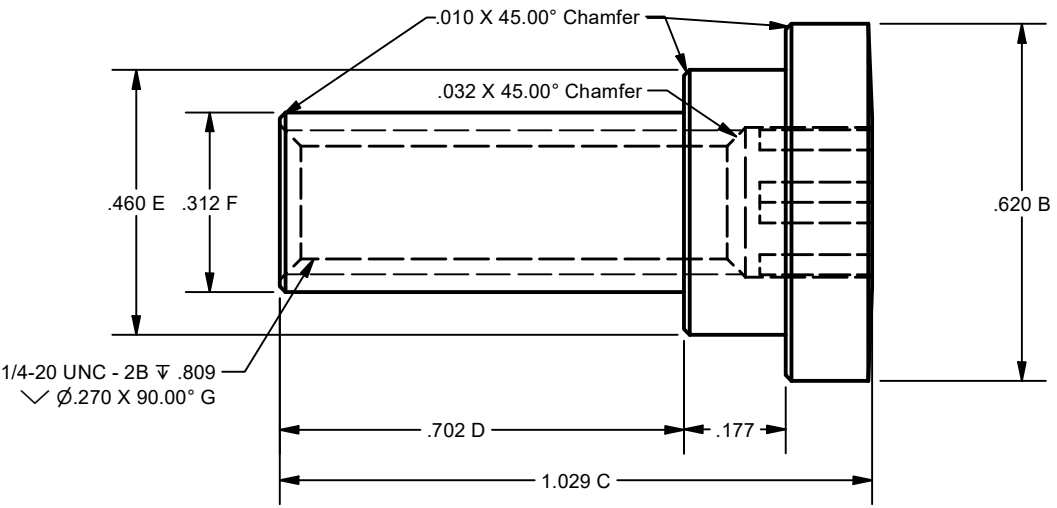
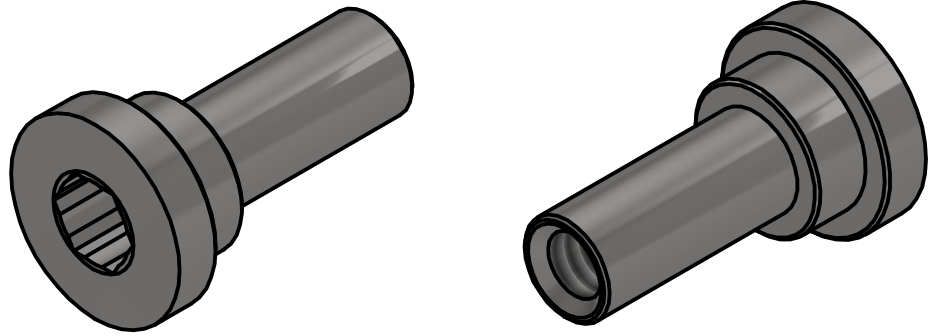
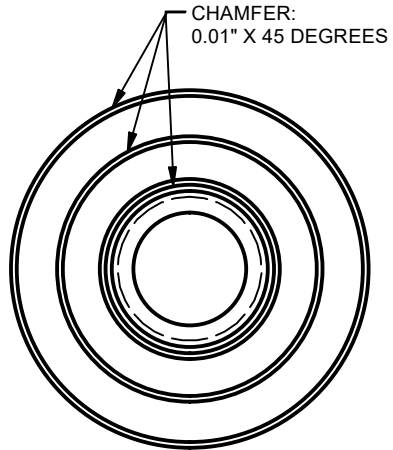


2

1



CRITICAL TOLERANCES		
DIMENTION	TOLERANCE	DEVICE
A	GAUGE	GAUGE
B	+/- .003	CALIPER
C	+/- .003	CALIPER
D	+/- .003	CALIPER
E	+/- .003	CALIPER
F	+/- .003	CALIPER
G	GAUGE	GAUGE



PART #:  
131420

PART NAME:  
131420 Cable Tension Receiver.ipt



DRAWN BY:  
JJ.Johnson

DATE:  
2/19/2019

STATUS:  
Released

TOLERANCES  
.X =  $\pm$  .030  
.XX =  $\pm$  .015  
.XXX =  $\pm$  .005

CYCLE TIME:  
SIZE: A  
SCALE: 2

MATERIAL  
316SS

REV:  
FIXED CHAMFERS - RWM - 5/26/20

2

1

