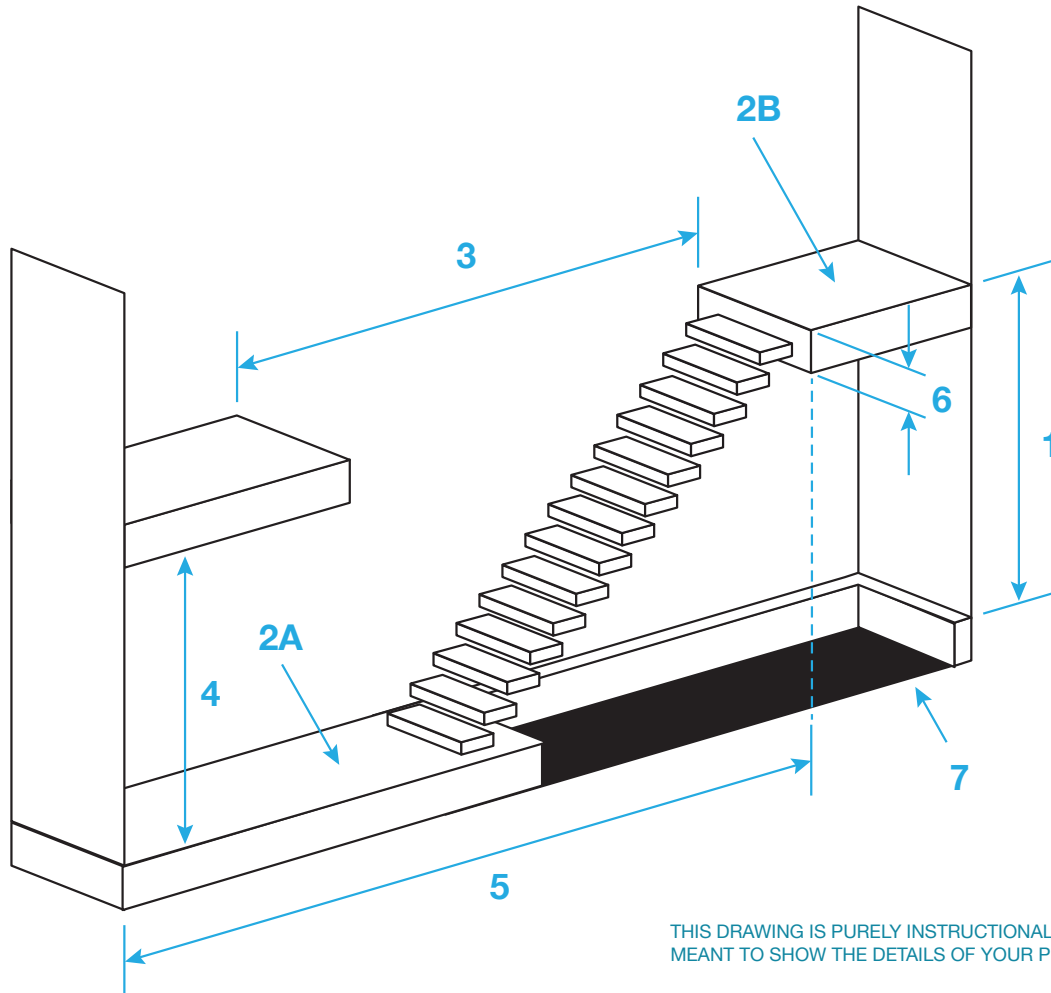


# Straight Stringer Floor-to-Wall



THIS DRAWING IS PURELY INSTRUCTIONAL AND IS NOT MEANT TO SHOW THE DETAILS OF YOUR PROJECT.

REQUIRED INFO

- 1. Subfloor to Subfloor \_\_\_\_\_
- 2. Finished Floor Thickness
  - A. Downstairs \_\_\_\_\_
  - B. Upstairs \_\_\_\_\_
- 3. Ceiling Opening \_\_\_\_\_
- 4. Ceiling Height \_\_\_\_\_
- 5. Space Constraint \_\_\_\_\_

IF APPLICABLE

- 6. Header Vertical Dimension less than 10"?  
Yes or No (circle one)
- 7. Does opening exist under stairs?  
Yes or No (circle one)