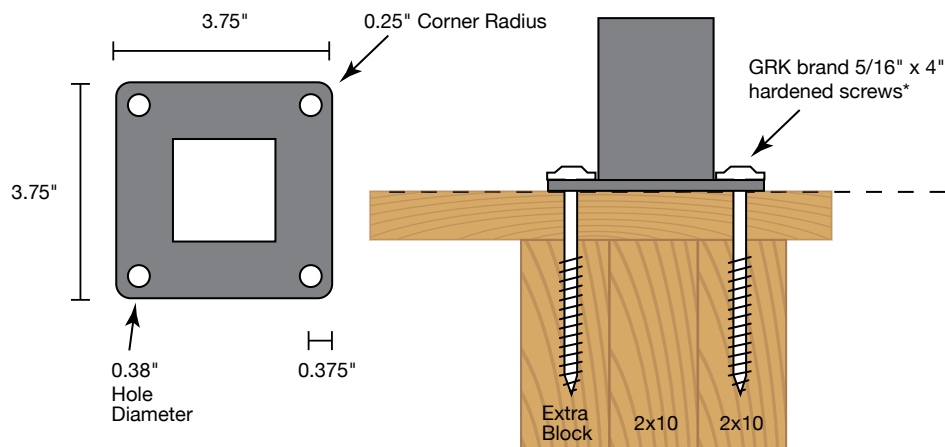
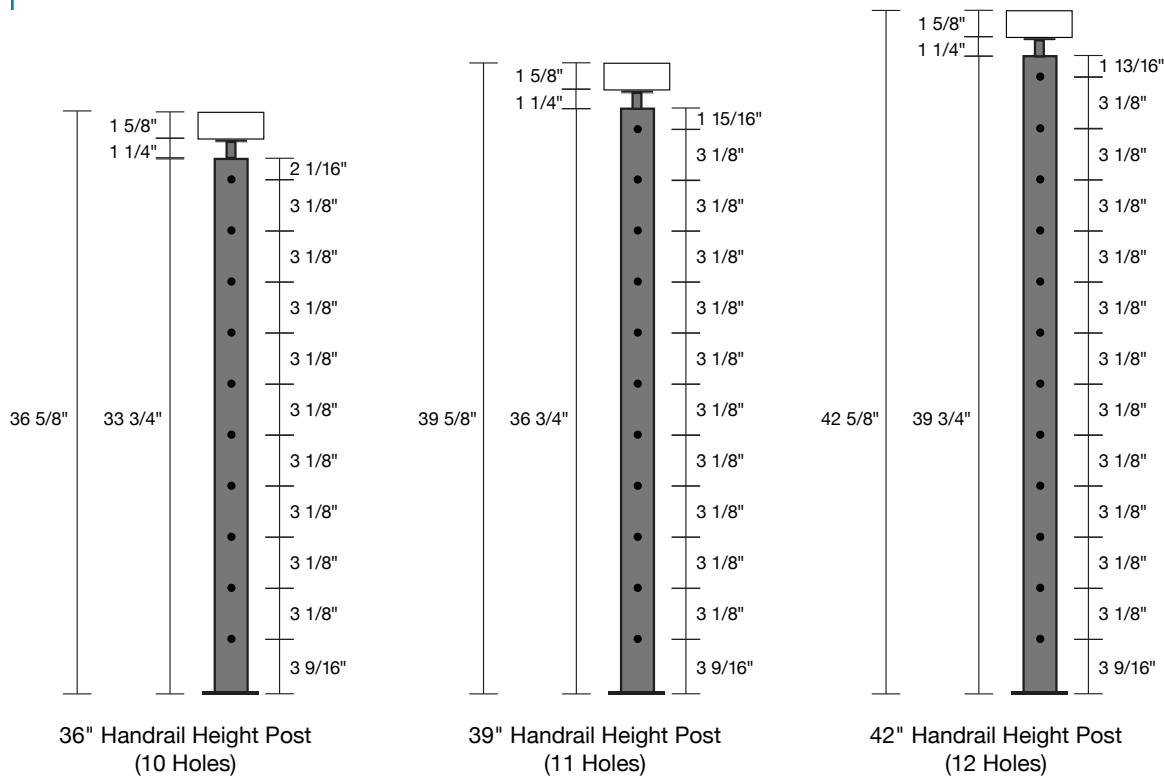


Post Specifications

For Standard Sizes

Posts with Level Cable Runs

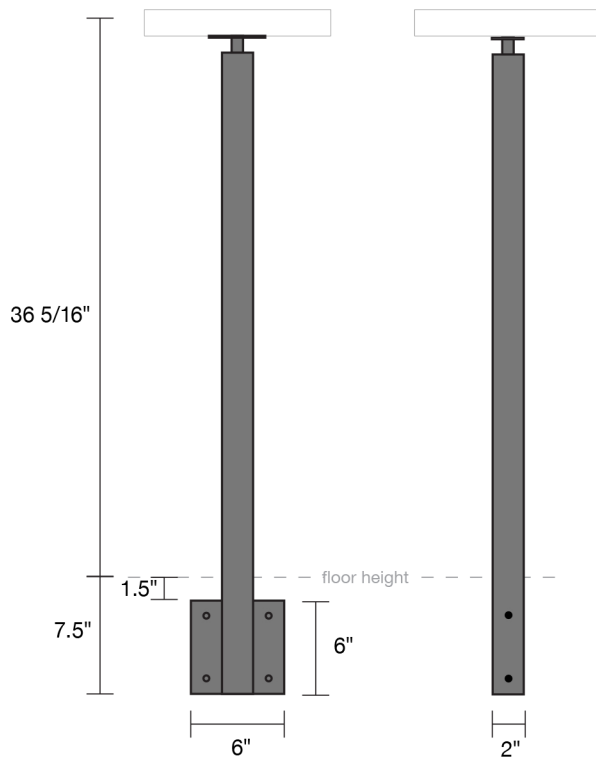
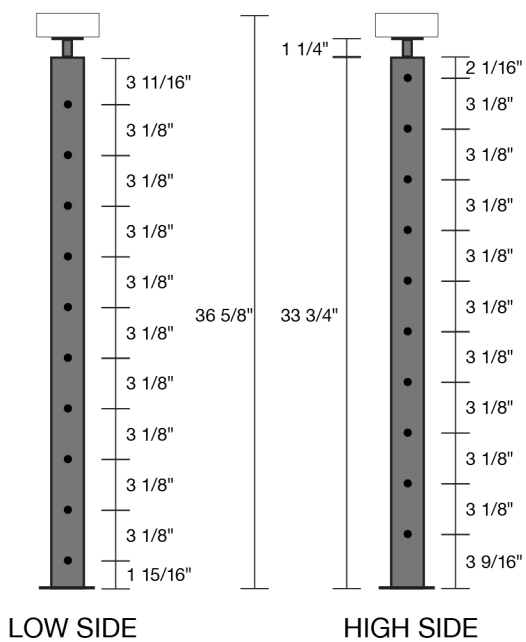


NOTE: Always mount posts to solid blocking.

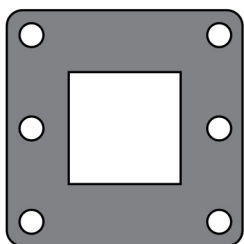


Posts with Angle Cable Runs

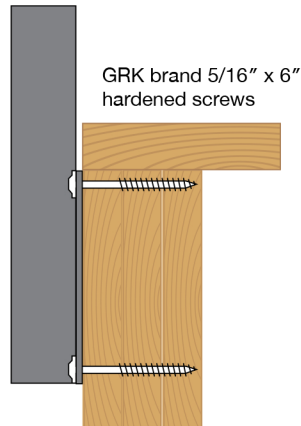
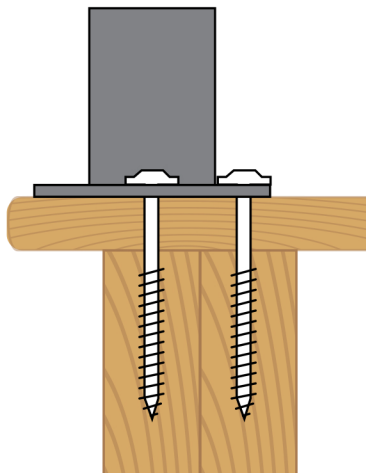
Side Mount Posts (Fascia Mount)



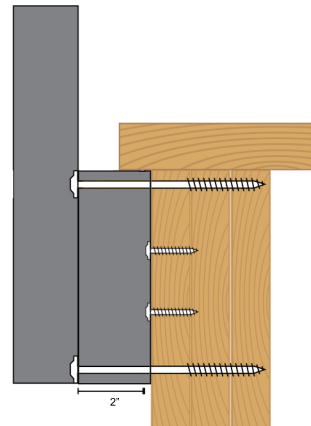
Slim Side Mount Posts



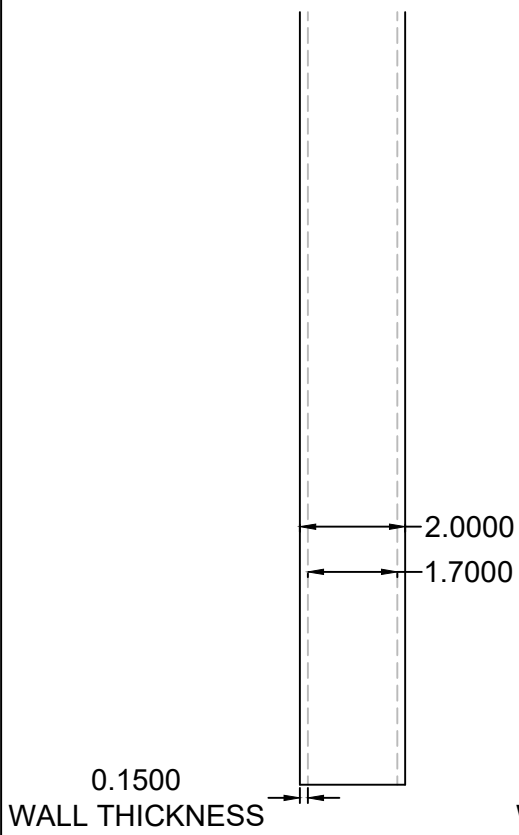
The B posts have an extra set of holes in case you need to work around a bullnose. The alternate mounting is shown here (at right).



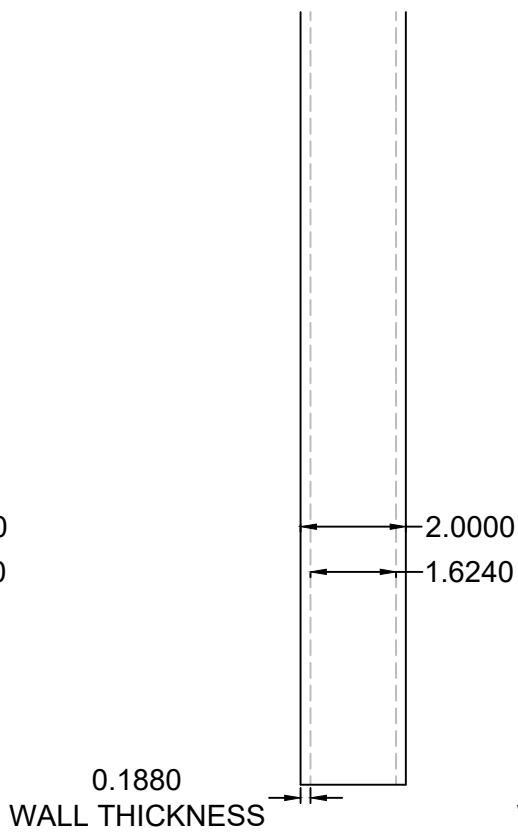
NOTE: Always mount posts to solid blocking.



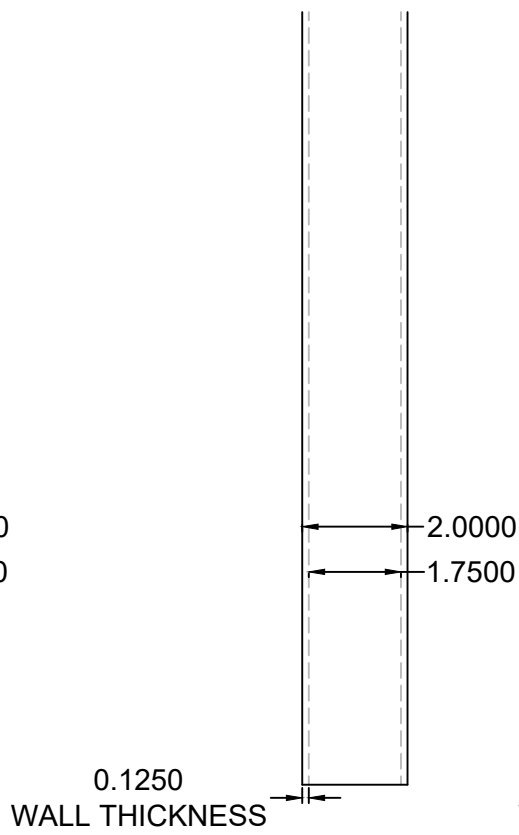
Bump Out Sidemount Posts available in standard 1" shift. Custom shift lengths also available.



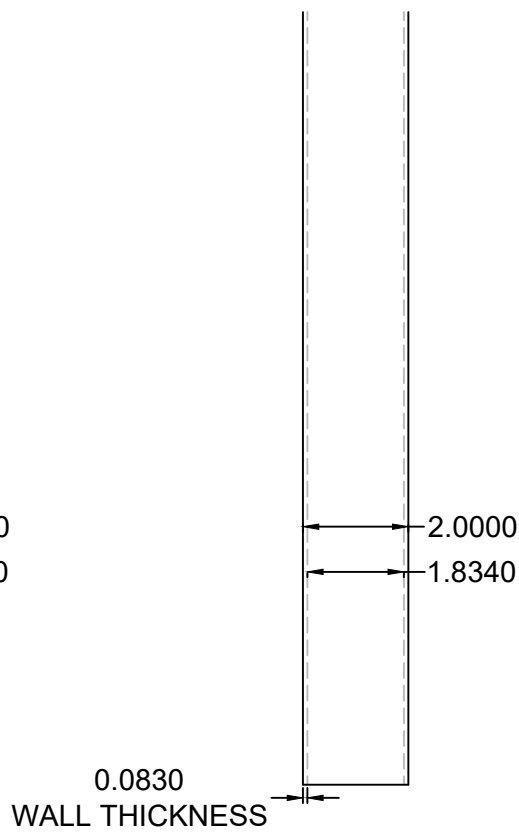
ALUMINUM



316SS
7 GAUGE



2205SS
11 GAUGE



304SS
14 GAUGE



ORDER NUMBER:	POSTS	REVISION:	V3	DATE:	5/8/20	DRAWN BY:	AKG
LAYOUT:	WALL THICKNESS LAYOUT						
POSTS IN LAYOUT:	METAL POSTS						

LAYOUT NOTES:

2X2 (OD)	GAUGE & WALL THICKNESS (IN)	WEIGHT (LBS/FT)
2205SS	11 ga (.125)	3.060
2205SS(HD)	7 ga (.188)	4.320
304SS	14 ga (.083)	2.160
AL-6061	.150	1.102

ANCHORAGE NOTES:
 1. DESIGN LOADS ARE LIMITED BY FLOOR BASE MATERIALS AND FASTENER CONNECTION IN FLOOR MATERIALS. IT IS THE RESPONSIBILITY OF THE INSTALLER TO VERIFY THE CONNECTIONS WITH THE LOCAL DESIGN PROFESSIONAL.
 2. ANCHORAGE SHALL BE DESIGNED BY OTHERS TO RESIST A SINGLE CONCENTRATED LOAD OF 200lb AND A 50lb/ft NON-CONCURRENT LOAD APPLIED IN ANY DIRECTION AT ANY POINT ALONG THE TOP RAIL.
 3. THIS DESIGN IS LIMITED TO THE SPECIFICATIONS AND COMPONENTS SPECIFICALLY SHOWN HEREIN. THIS DESIGN SHALL NOT BE CONSTRUED IN ANY WAY TO SPECIFY, CERTIFY OR DESIGN ANY ASPECTS OF THE SUPPORTING STRUCTURE TO WHICH THESE COMPONENTS ARE ATTACHED. THE USE OF THIS DESIGN SHALL BE UNDER THE DIRECTION OF A COORDINATING REGISTERED DESIGN PROFESSIONAL - HEREINAFTER REFERRED TO AS CRDP.

RESPONSIBILITIES OF THE COORDINATING REGISTERED DESIGN PROFESSIONAL:
 1. THIS DESIGN DOES NOT ACCOUNT FOR EXTREME LOADING CASES, SUCH AS LONG STRAIGHT RUNS OF GUARDRAIL SYSTEMS AGAINST WHICH CROWDS CAN SURGE. THE CRDP IS RESPONSIBLE FOR ASSESSING THE USE AND OCCUPANCY OF THE PROTECTED AREA AND THE APPROPRIATENESS OF THE STATED DESIGN LOADS.
 2. THE CRDP IS RESPONSIBLE FOR ENSURING THAT THE INSTALLATION CONDITIONS MEET OR EXCEED THE REQUIREMENTS STATED HEREIN AND THAT THE SUPPORTING STRUCTURE IS CAPABLE OF RESISTING THE LOADS IMPOSED BY THE ANCHORAGE.
 3. THE CRDP IS RESPONSIBLE FOR FULFILLING ALL SPECIAL INSPECTION REQUIREMENTS RELATED TO THE INSTALLATION OF THE GUARDRAIL AND ANCHORS SPECIFIED HEREIN, AS REQUIRED BY THE LOCAL AUTHORITY HAVING JURISDICTION.