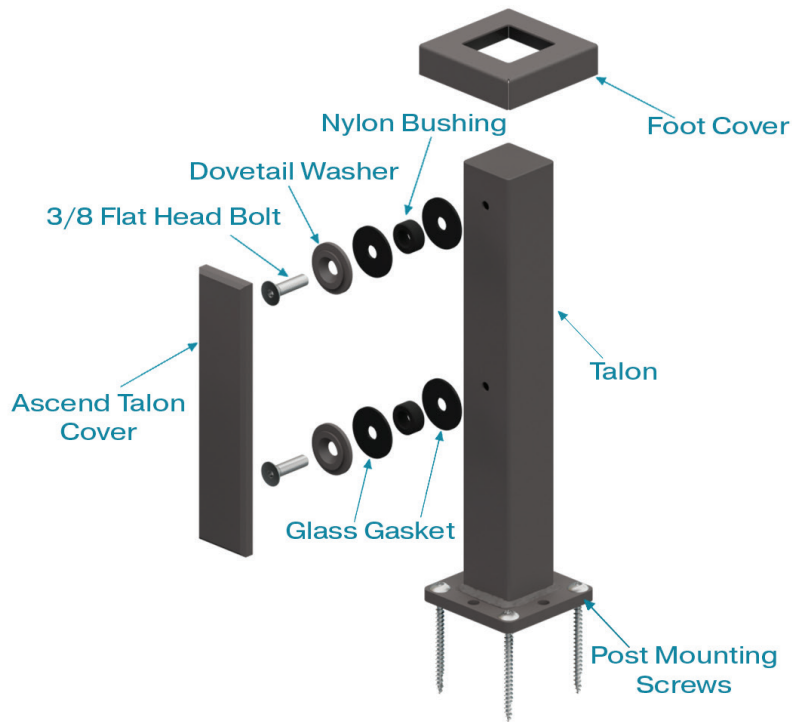


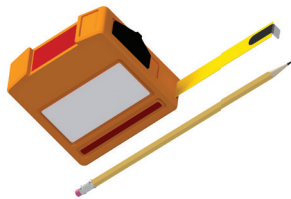
# Ascend Talon Installation Guide



## Tools Needed for this Installation



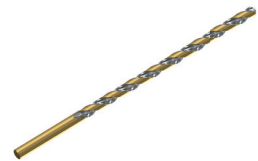
Chalk Line



Measuring Tape & Pencil



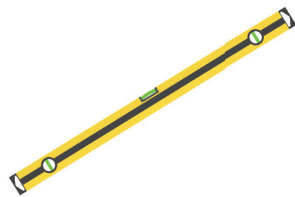
Drill



3-16" Drill Bit



T-30 Torx Bit



Level



Suction Cup Handles



Silicone

## Things to Know Before You Get Started

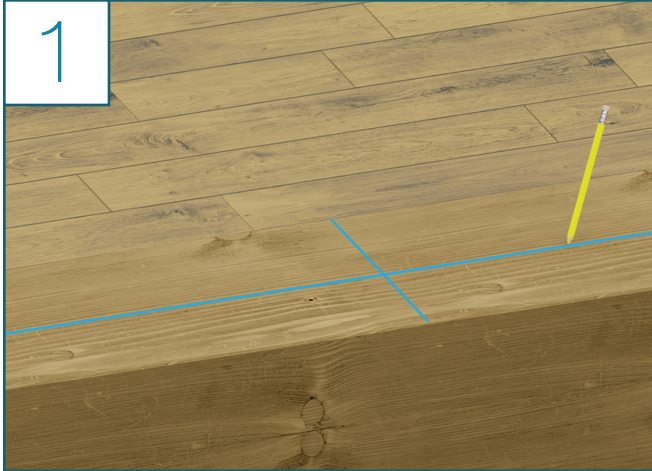
- Read over the provided material prior to the start of your installation
- This project requires a minimum of two people
- Viewrail Glass systems and fittings are designed to have a 1" gap between panels of glass



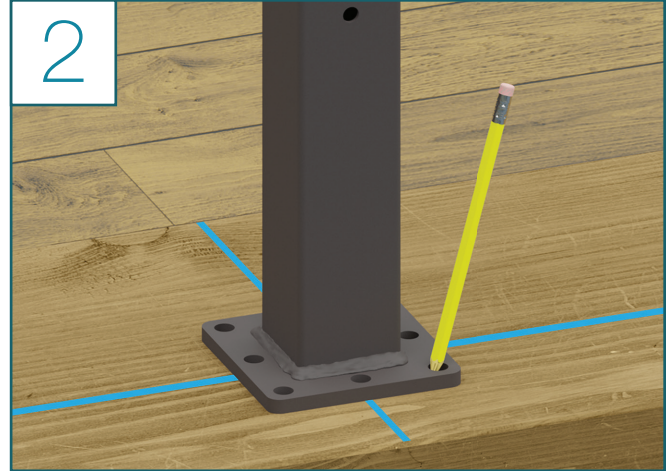
**YouTube**

Visit our YouTube channel to watch helpful installation videos  
[youtube.com/viewrail](https://youtube.com/viewrail)

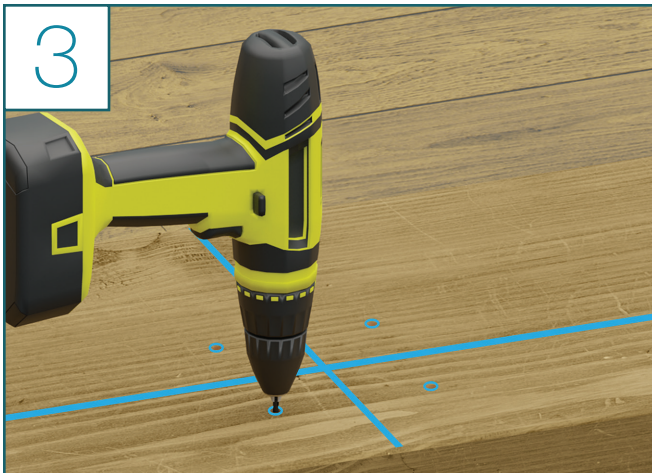
## Ascend Talon Installation Steps



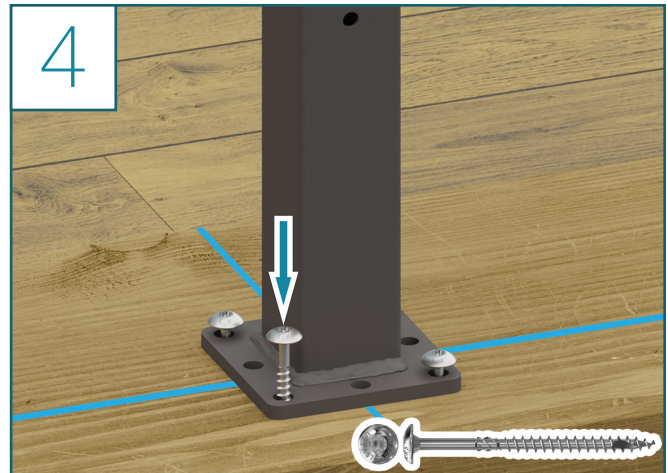
- Using your provided project layout identify the run you want to do first
- Measure and snap a chalk line to mark the run



- Using the layout provided and a tape measure, mark the center of where you want to mount each post

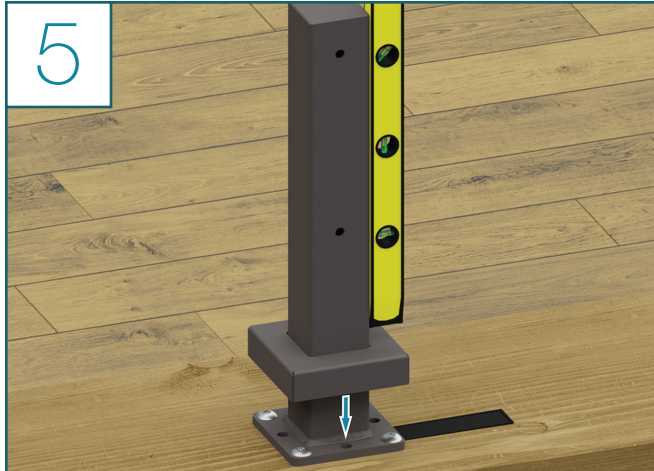


- Take the post and center it on that mark
- Mark the hole placements
- At least four holes must be populated, with at least one hole on each side
- Using a  $\frac{3}{16}$ " drill bit, drill a pilot hole for each of the marked location
- Pilot holes must be  $3\frac{1}{2}$ " deep when using 4" mounting screws

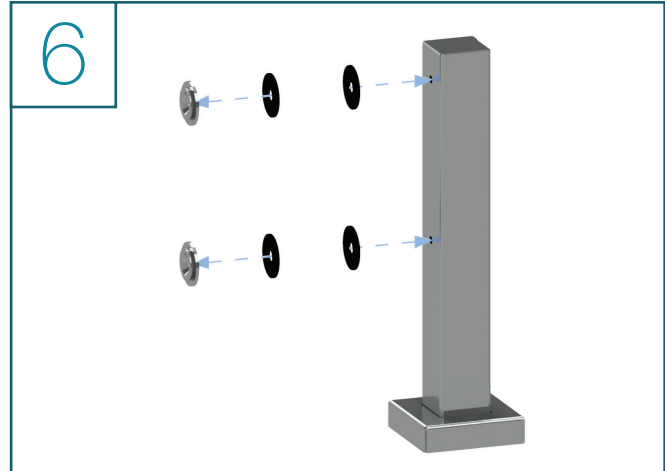


- Using the T-30 Torx bit, screw the post mounting screws down until snug

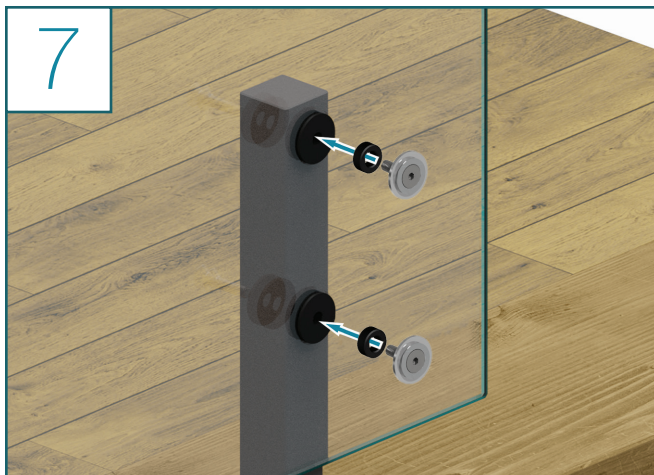
### Ascend Talon Installation Steps (Continued)



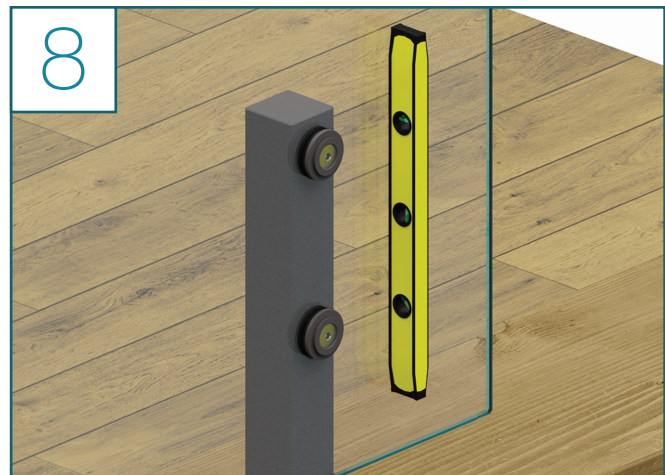
- Ensure the talon is plumb
- Use shims as needed and snap off any excess
- Slide the foot cover over the top of the Ascend Talon and into place



- Identify and prepare your glass panel
- Attach the first gasket around the flow drilled hole on the talon, and then attached the second gasket to the dovetail washer itself
- Doing this will ensure that the gaskets remain in the correct position during installation of the glass panel

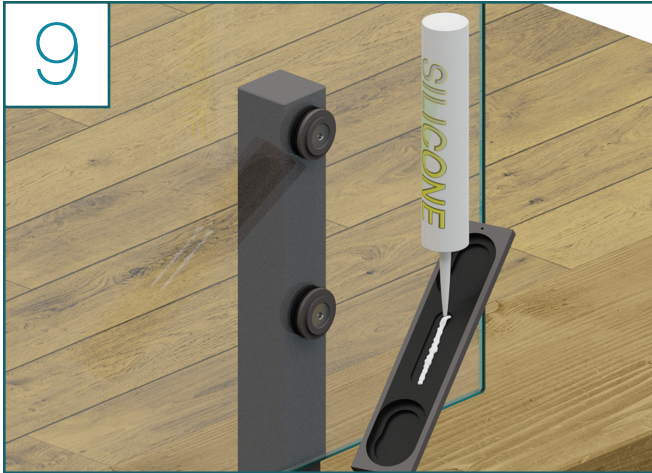


- Move the panel into position, lining up the holes in the glass with the predrilled holes on the talon
- Prepare the mounting assembly by running the  $\frac{3}{8}$ " x  $1\frac{1}{2}$ " flat head bolts through the dovetail washer and the nylon bushing
- Using a  $\frac{7}{32}$ " Allen wrench, fasten the mounting assembly through the panel to the talon

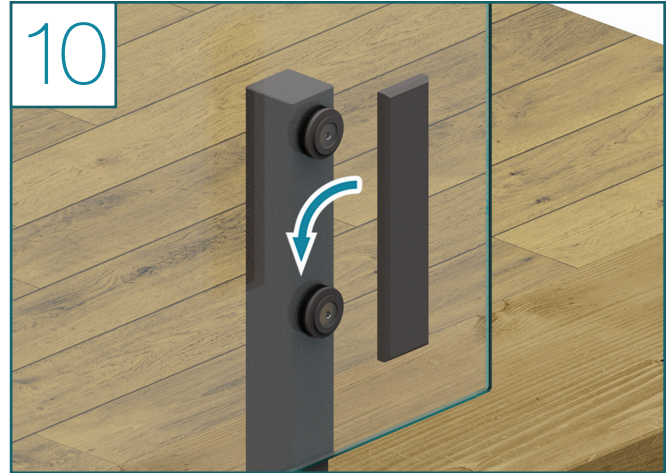


- Make sure the glass is level and tighten the bolts firmly

### Ascend Talon Installation Steps (Continued)



- Apply silicone into the middle of the Ascend Talon cover, as shown, to help keep it in place



- Put the ascend talon cover against the glass
- Slide the cover straight down to lock the cover in place

## Congratulations! You're done with this section.

We'd love to see your work! Snap a few pics with your phone and send them to [pictures@viewrail.com](mailto:pictures@viewrail.com). Thanks for choosing Viewrail. Enjoy your new installation!