

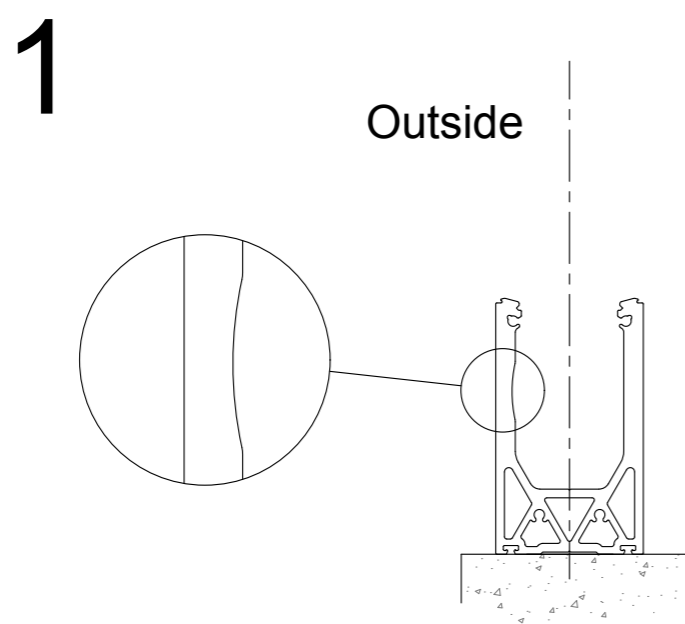
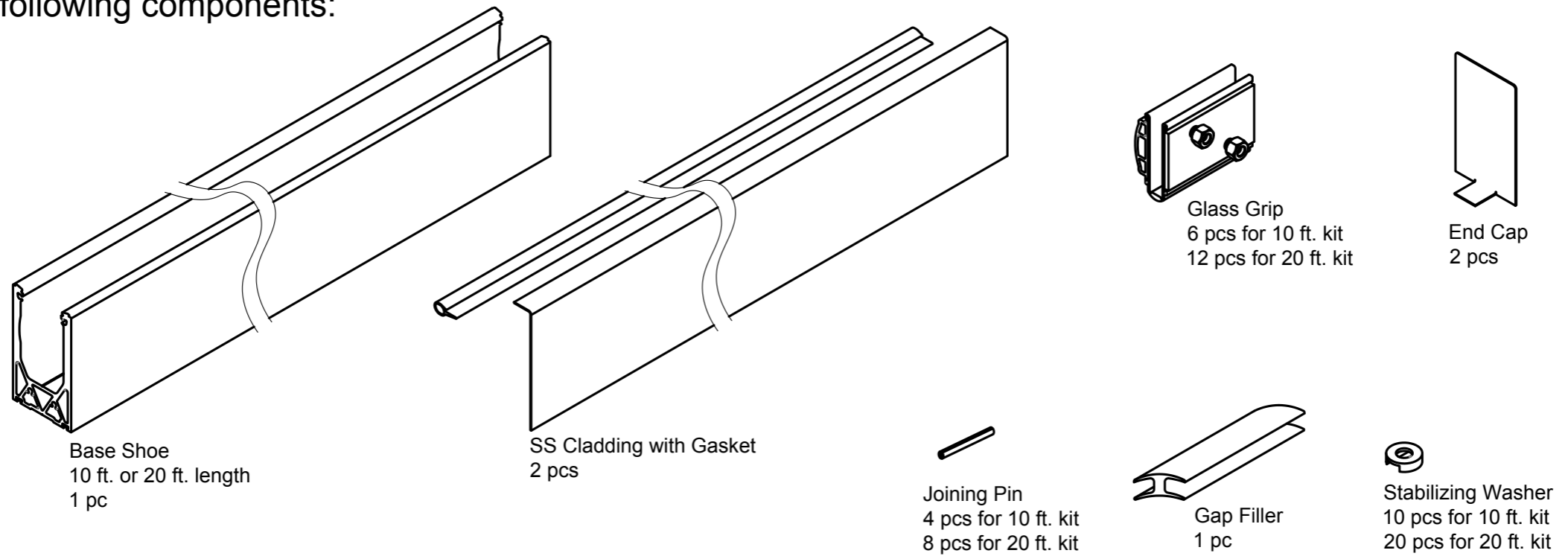
Installation Instructions

Top Mount Base Shoe - Stainless Steel Cladding

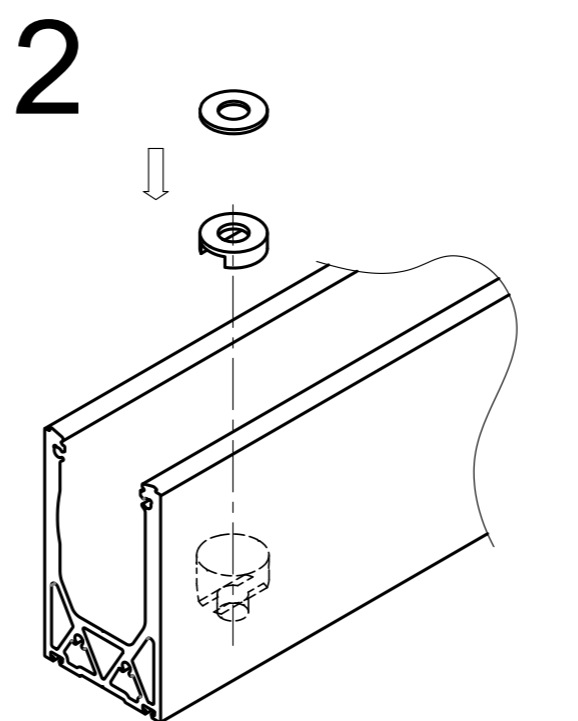
SSSM3SHOE10S (10 ft.)
SSSM3SHOE20S (20 ft.)



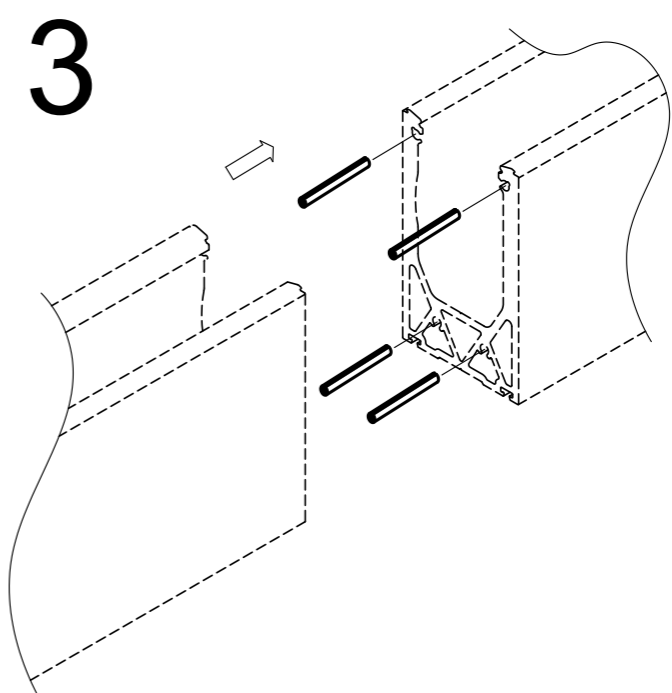
The kit includes the following components:



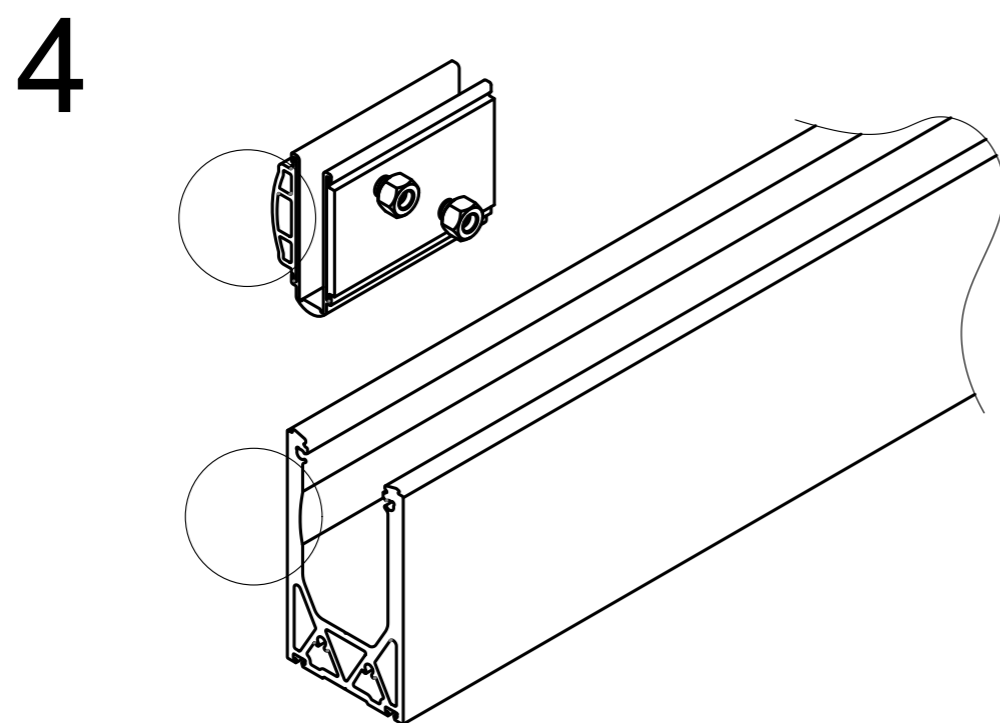
Make sure that the curved side of the Base Shoe is facing the outside.



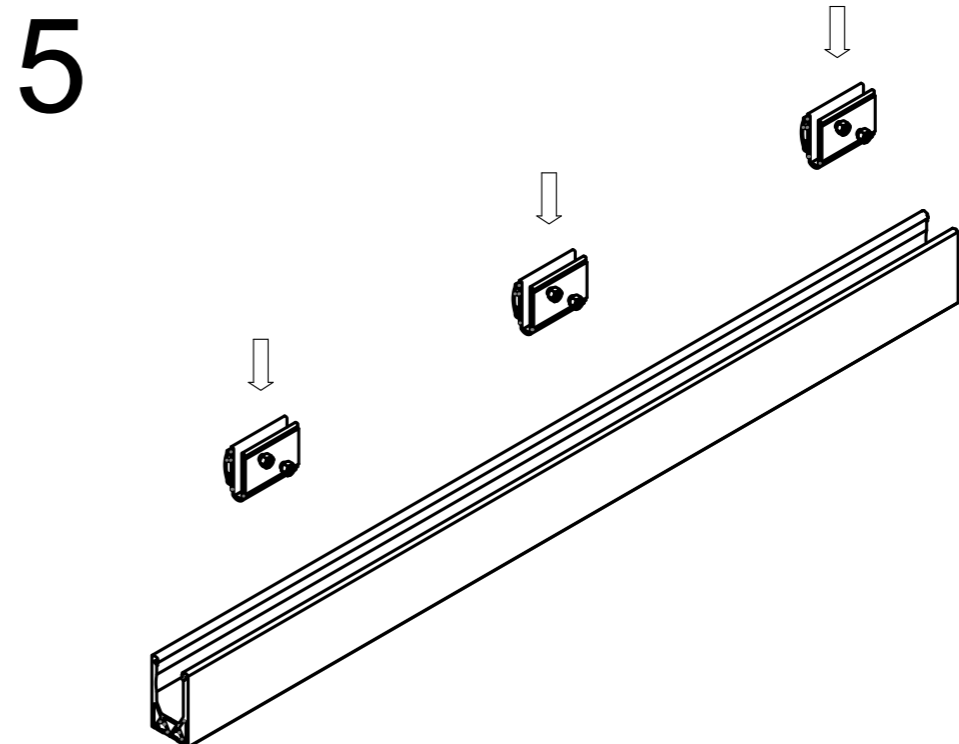
Put the Stabilizing Washer in place by aligning the slot with the ribs at the bottom of the base shoe. To secure the base shoe, ensure that you use a flat washer with suitable fasteners.



Use the Joining Pins to connect the shoes.



Curved plate on the Glass Grips must be matched to curved surface of the base shoe.



Refer to Engineering Documents for spacing between glass grips. Additional glass grips are available to be ordered separately.

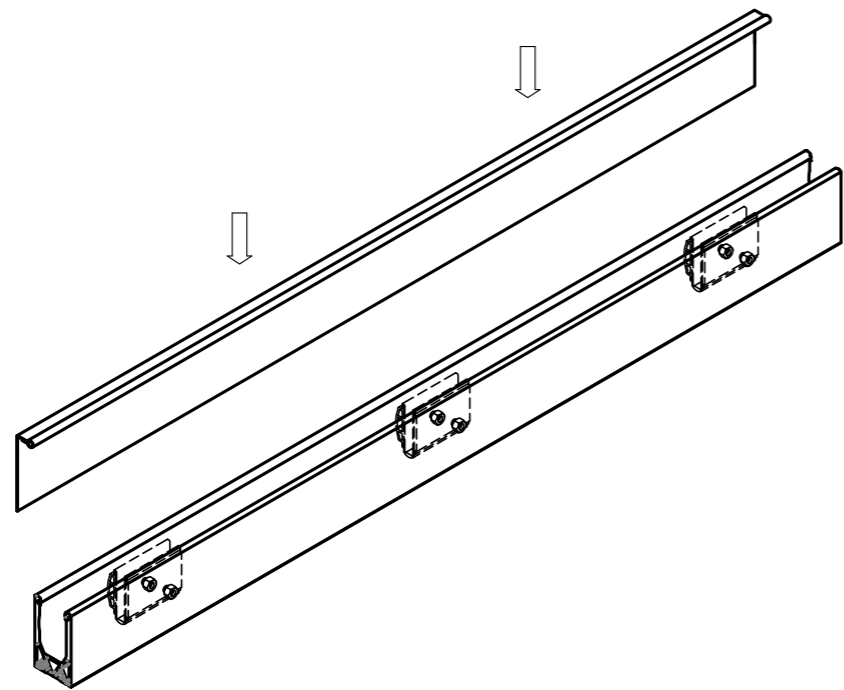
Installation Instructions

Top Mount Base Shoe - Stainless Steel Cladding

SSSM3SHOE10S (10 ft.)
SSSM3SHOE20S (20 ft.)

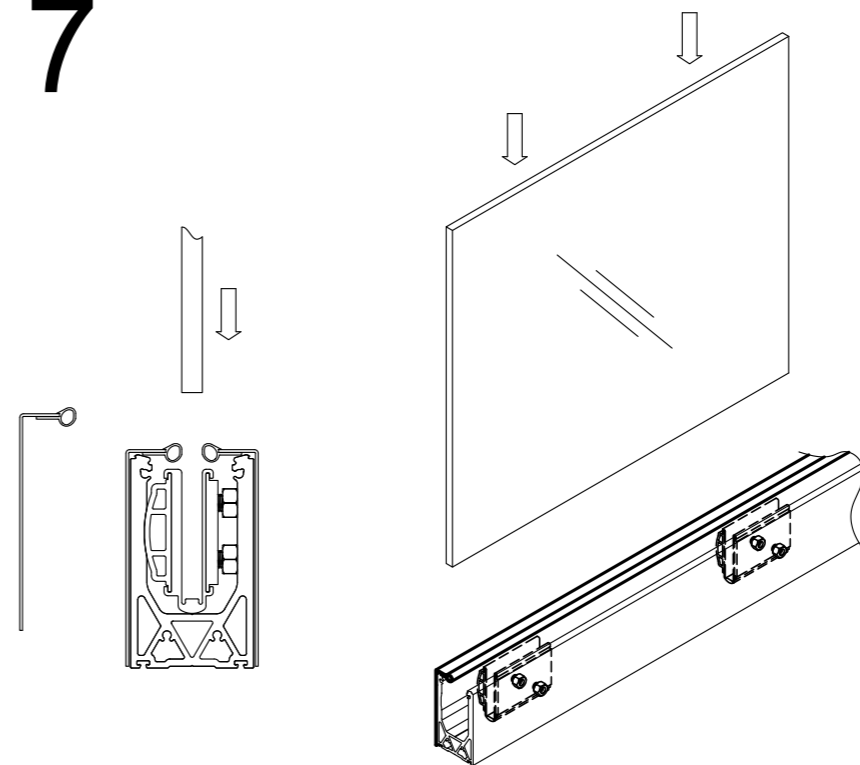


6



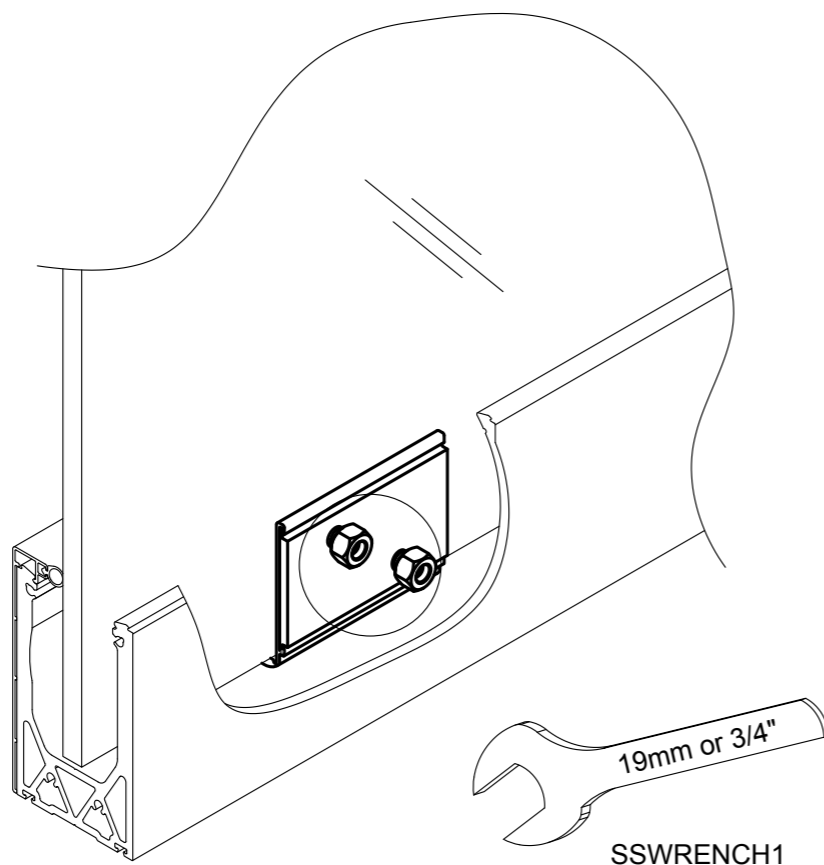
Install one piece of Stainless Steel Cladding on the outside. Double-sided tape or silicone can be used to secure the cladding.

7

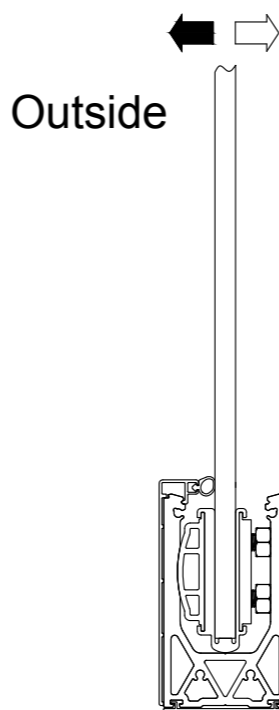


Slide the glass panel(s) into the glass grips.

8



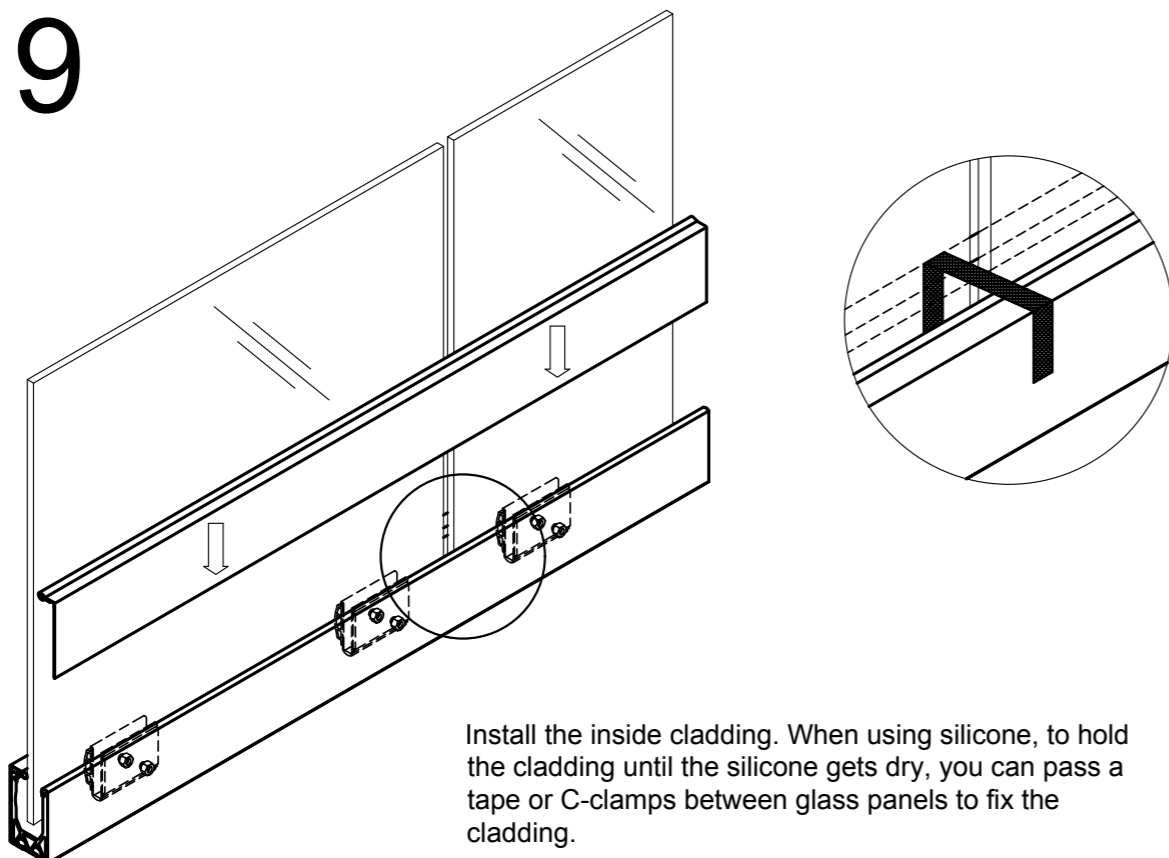
SSWRENCH1



To adjust:
Loosen upper fastener (turn CCW) and
tighten lower (turn CW) to tilt glass outward
and vice versa.

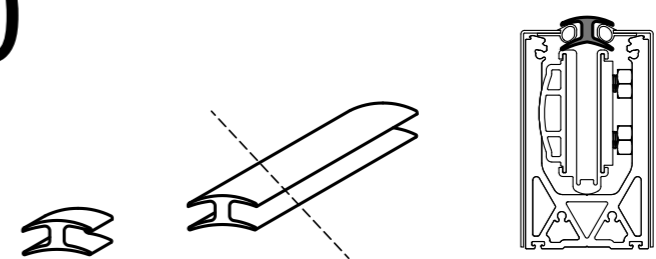
Upper fastener
Lower fastener

9



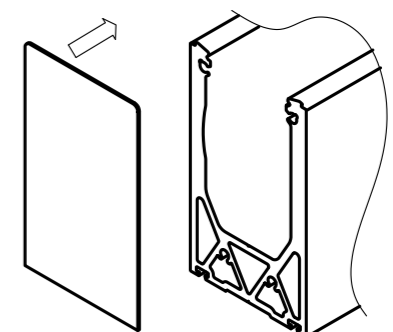
Install the inside cladding. When using silicone, to hold the cladding until the silicone gets dry, you can pass a tape or C-clamps between glass panels to fix the cladding.

10



Cut the Gap Filler to match the size of the gap between glass panels and insert between gaskets at glass-to-glass gap.

11



Use adhesive to attach the End Caps.