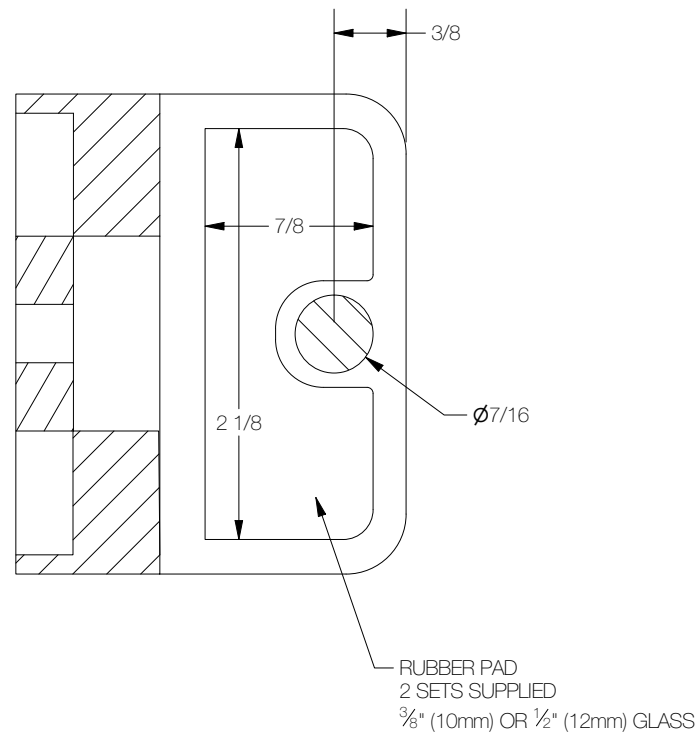
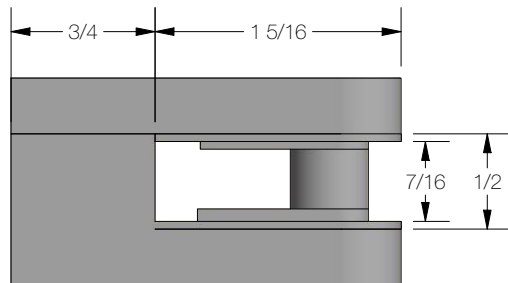
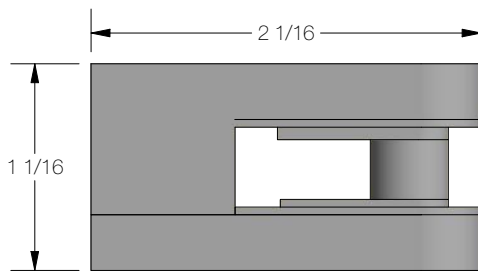
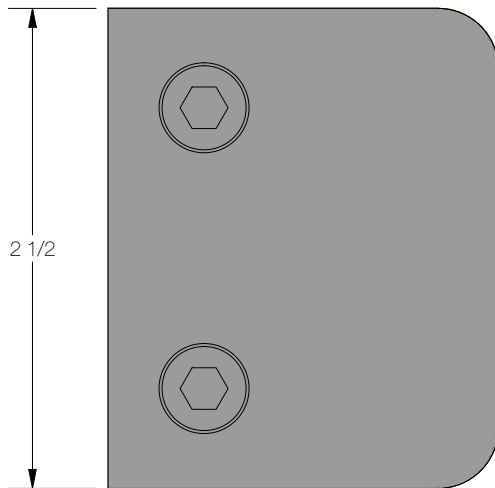
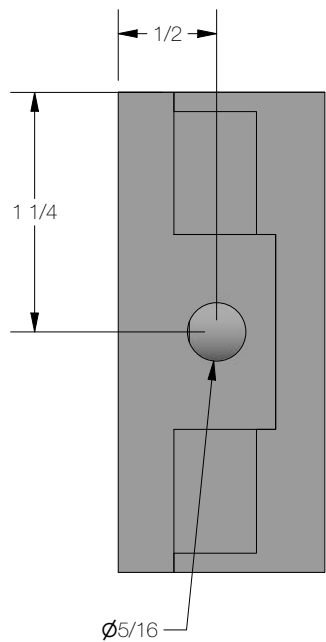


2

1



FINGER SLOT IN GLASS IS REQUIRED IF THERE IS NO SUPPORTING SURFACE BENEATH INSTALLED GLASS.

FOR SECURING GLASS CLIP TO POST USE 5/16-18 X 1" SOCKET HEAD CAP SCREW INTO PRE-DRILLED / TAPPED HOLES IN POST



PART #:
GLASS CLIP

PART NAME:
vr705- glass clip.ipt



DRAWN BY:
user1

DATE:
6/19/2019

STATUS:
Released

TOLERANCES
.X = ± .030
.XX = ± .015
.XXX = ± .005

CYCLE TIME:

MATERIAL
STAINLESS STEEL

SIZE:
A

SCALE:
1 : 1

REV:

2

1